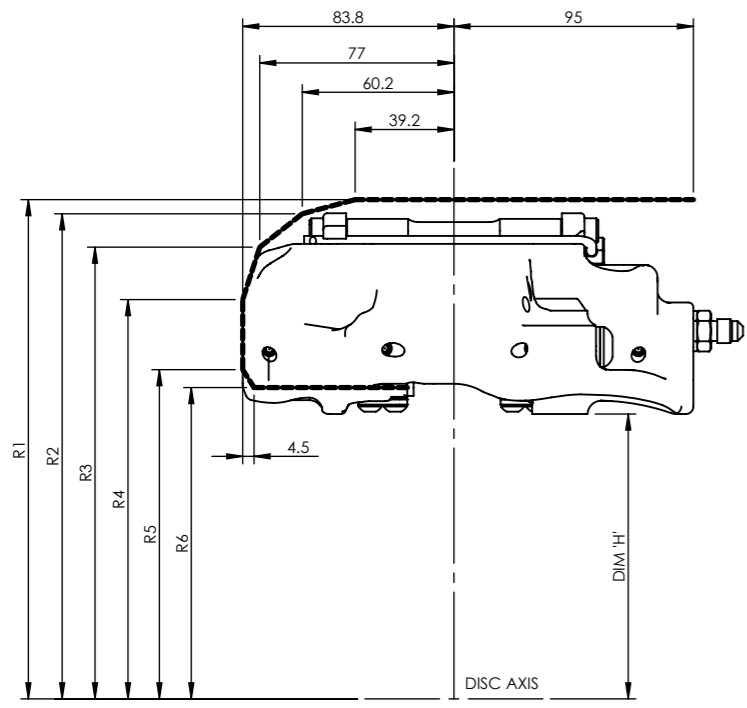
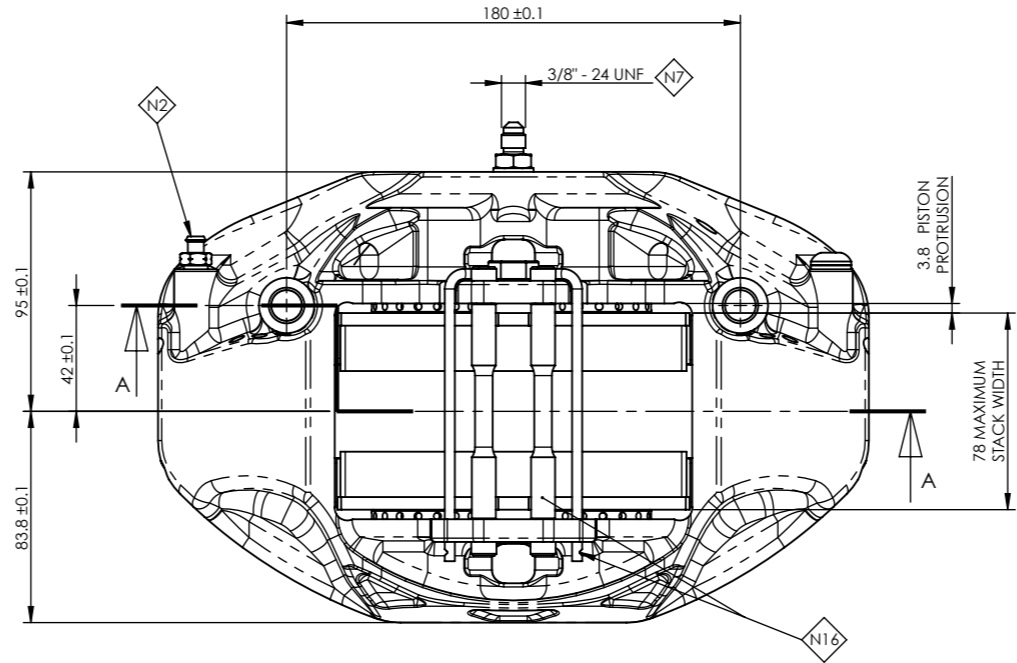


DO NOT SCALE IF IN DOUBT ASK

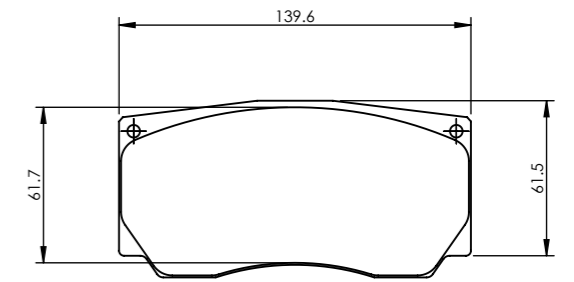
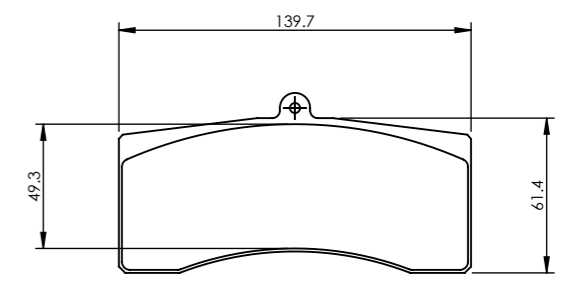
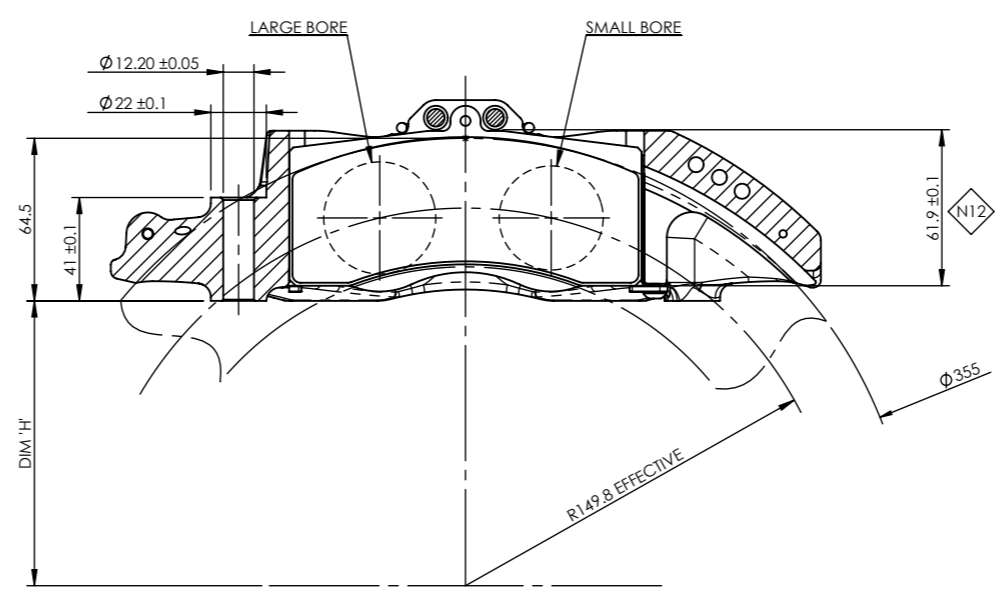
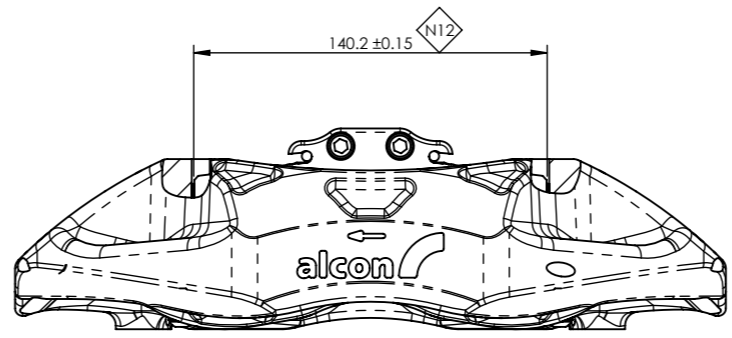


DISC Ø	R1	R2	R3	R4	R5	R6	DIM 'H'
Ø330	189.4	181.5	172	145	112	111	100.5
Ø355	198.1	192.4	179.2	158.4	130.6	123.5	113.0
Ø380	209.5	204	194.5	170.0	136.0	135.5	125.5



NOTES:

- N1: LEFT HAND TRAILING CALIPER AS DRAWN
RIGHT HAND TRAILING CALIPER SYMMETRICALLY OPPOSITE
- N2: BLEED SCREW: 3/8"-24 UNF, MAXIMUM TORQUE: 14Nm HOT
18Nm COLD
- N3: INSTALL CALIPER WITH PAD 0.5mm ABOVE O.D. OF DISC &
A MINIMUM CLEARANCE BETWEEN DISC & CALIPER OF 2.5mm
- N4: ALL DIMENSIONS ARE NOMINAL UNLESS OTHERWISE STATED
- N5: TOTAL CALIPER PISTON AREA: 57.8cm²
- N6: CALIPER MOUNTING FACE
- N7: FLUID INLET
- N8: CALIPERS SUPPLIED LESS PADS
- N9: DISC SIZES: Ø380 x 32mm MAX
Ø355 x 30mm MIN
- N10: DISC AXIS
- N11: ALL DIMENSIONS IN mm
- N12: DIMENSIONS FOR PAD FITMENT
- N13: CALIPER DESIGNED FOR USE WITH CONVENTIONAL 'O' RING SEAL
3/8"-24 UNF BLEED SCREW. DRY BREAKS CAN BE ORDERED
SEPARATELY FROM ALCON, PART NUMBER FTQ4410X637.
- N14: CALIPER ASSEMBLY WEIGHT LESS PADS 2.72Kg
- N15: DUE TO COMPLEXITY OF CALIPER SHAPE, WHEEL CLEARANCE
CHECKS SHOULD BE CARRIED OUT WITH 3D MODEL WHICH
IS AVAILABLE ON REQUEST.
- N16: THIS CALIPER CAN BE USED WITH THE PAD RETAINING 'SLEEVES'
REMOVED. ALCON RECOMMEND THAT WHEN USING THE CALIPER
WITH ONLY THE PAD RETAINING 'WIRE' FITTED, THAT THE WIRE
ENDS ARE LOCK WIRED TOGETHER.



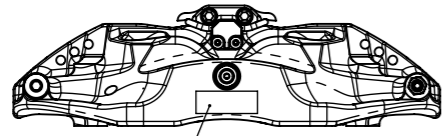
Alcon Part No.	Hand	Orientation	Small Bore	Large Bore	Remarks
CAR3249L04VESRT	RIGHT	TRAILING	Ø41.3	Ø44.5	
CAR3249L04VESLT	LEFT	TRAILING	Ø41.3	Ø44.5	

A FIRST ISSUE		GW / 20.09.12	SW / 25.09.12
Issue	Change	DRN BY / Date	CHK BY / DATE
DRAWN IN SOLIDWORKS		LOC	APP BY / Date
WEIGHT: 2.72 Kg	SCALE: 1:3	ALCON COMPONENTS LIMITED APOLLO TOWN STAFFORDSHIRE B79 7TN TEL: +44(0)1827 723700	
REMOVE ALL SHARP EDGES, BURRS AND SWarf	MATERIAL: ---	DATE: 20.09.12	alcon empowering your advantage
FINISH: Ra	DATE: 25.09.12	NOTE: THIS DRAWING AND INFORMATION THEREUPON IS THE PROPERTY OF ALCON COMPONENTS LTD. IT IS LENT ON THE CONDITION THAT IT IN WHOLE OR IN PART, SHALL NOT BE REPRODUCED, COPIED, LENT OR DISCLOSED TO ANY PERSON WITHOUT WRITTEN CONSENT OF ALCON AND SHALL BE RETURNED TO ALCON COMPONENTS LTD.	
ALL DIMENSIONS ARE BEFORE TREATMENT UNLESS STATED	HEAT TREATMENT: ---	APP'D BY: ---	PART NAME (Max. 40 chars): GRAND Am GX FRONT
TOLERANCES UNLESS STATED: ±0.2 ANGLES: 80.9°	SURFACE TREATMENT: ---	DATE: ---	PART NUMBER: CAR32i04
		DATE OF INSPECTION: ---	REV: A
			1 of 2
			A3

DO NOT SCALE
IF IN DOUBT ASK

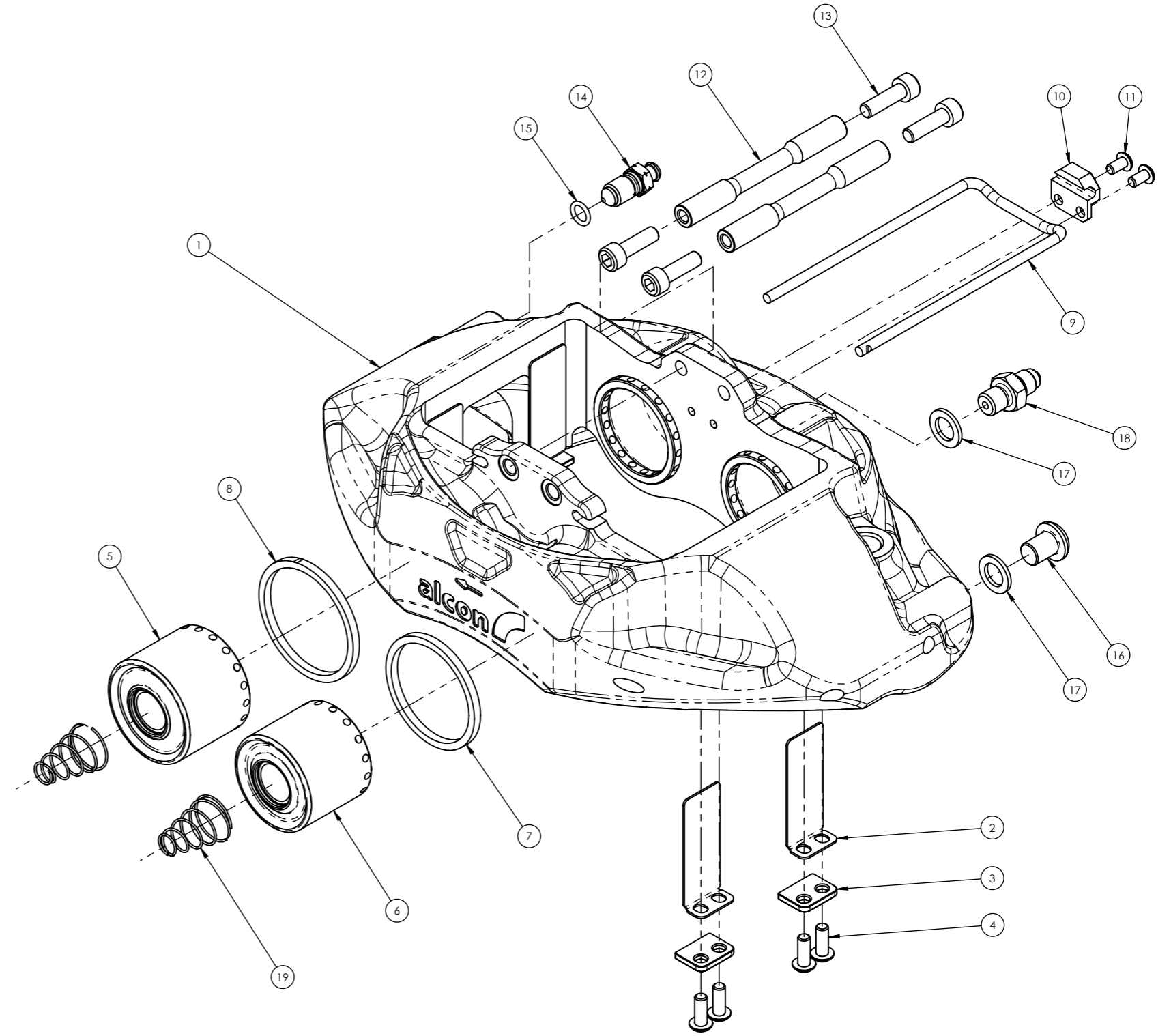


ALCON LOGO & ARROW TO BE FILLED WITH WHITE PAINT (HIGH TEMP)



LASER MARK ALCON PART NUMBER, DATE ASSEMBLED, ASSEMBLER, AND CUSTOMER PART NUMBER (IF SPECIFIED ON JOB CARD)

ITEM	QTY.	PART NUMBER	DESCRIPTION	REMARKS
1	1	CAR3249L120L / R	CALIPER BODY	
2	4	PSC4423X100	END WEAR PLATE	
3	4	SSC4423X102	PAD SUPPORT	
4	8	BSB0080X742	10-32UNF x 1/2" BUTTON HEAD SCREW	4.8/5.4Nm WITH LOCTITE 241
5	2	PTV4535X255	Ø44.5 TITANIUM PISTON PISTON	
6	2	PTV4135X255	Ø41.3 TITANIUM PISTON PISTON	
7	2	SES4100X751	Ø41.3 PISTON SEAL	ASSEMBLE WITH ALCON 'ASL' (ADVANCED SEAL LUBRICANT)
8	2	SES4500X751	Ø44.5 PISTON SEAL	ASSEMBLE WITH ALCON 'ASL' (ADVANCED SEAL LUBRICANT)
9	1	SSR4432X113	PAD RETAINER WIRE	
10	1	PSC4423X109	PAD WIRE RETAINER	
11	2	BSB0080X743	8-32 UNC x 0.3125" BUTTON HEAD BOLT	4.8/5.4Nm WITH LOCTITE 241
12	2	PSC4432X112	PAD RETAINER	
13	4	BSS0080X917	M6 x 1.0 x 20mm BOLT	10Nm±1 WITH LOCTITE 241
14	1	FSB3430X689	BLEED SCREW 3/8"UNF ('O' RING TYPE)	14Nm HOT - MAX 18Nm COLD - MAX
15	1	SER0080X176	0.280"X0.063" EPDM O-SEAL	
16	1	BSB0080X005	3/8"-24 UNF BUTTON HEAD LOW PROFILE	19Nm±1 WITH LOCTITE 241
17	2	FCG0080X015	COPPER GASKET	
18	1	FSA3435X630	3/8" UNF FLUID INLET ADAPTOR	19Nm±1 WITH LOCTITE 241
19	4	SSC3435X616	2Kg ANTI-KNOCKBACK SPRING	
20	6	PSC0080X603	LEE PLUG 4.0 SHORT STAINLESS STEEL	



DRAWN IN SOLIDWORKS WEIGHT: 2.72 kg grams FINISH: Ra (Ra)	SCALE: 1:3 MATERIAL: --- BULLET/CASTING: --- HEAT TREATMENT/STRENGTHENING: --- SURFACE TREATMENT: ---	DRAWN BY: G WISEMAN DATE: 20.09.12 CHECKED BY: S HODKINS DATE: 25.09.12 APP'D BY: --- DATE: --- DATE OF INSPECTION: --- PART NUMBER: CAR32104	ALCON COMPONENTS LIMITED APOLLO TAIWORTH STAFFORDSHIRE B79 7TN TEL: +44(0)1827 723700 NOTE: THIS DRAWING AND INFORMATION THEREUPON IS THE PROPERTY OF ALCON COMPONENTS LTD. IT IS LENT ON THE CONDITION THAT IT IN WHOLE OR IN PART, SHALL NOT BE REPRODUCED, COPIED, LENT OR DISCLOSED TO ANY PERSON WITHOUT WRITTEN CONSENT OF ALCON AND SHALL BE RETURNED TO ALCON COMPONENTS LTD. PART NAME (Max. 40 chars): GRAND Am GX FRONT PART NUMBER: CAR32104 REV. ISS. DATE: A 2 of 2 SHEET SIZE: A3
---	---	--	---