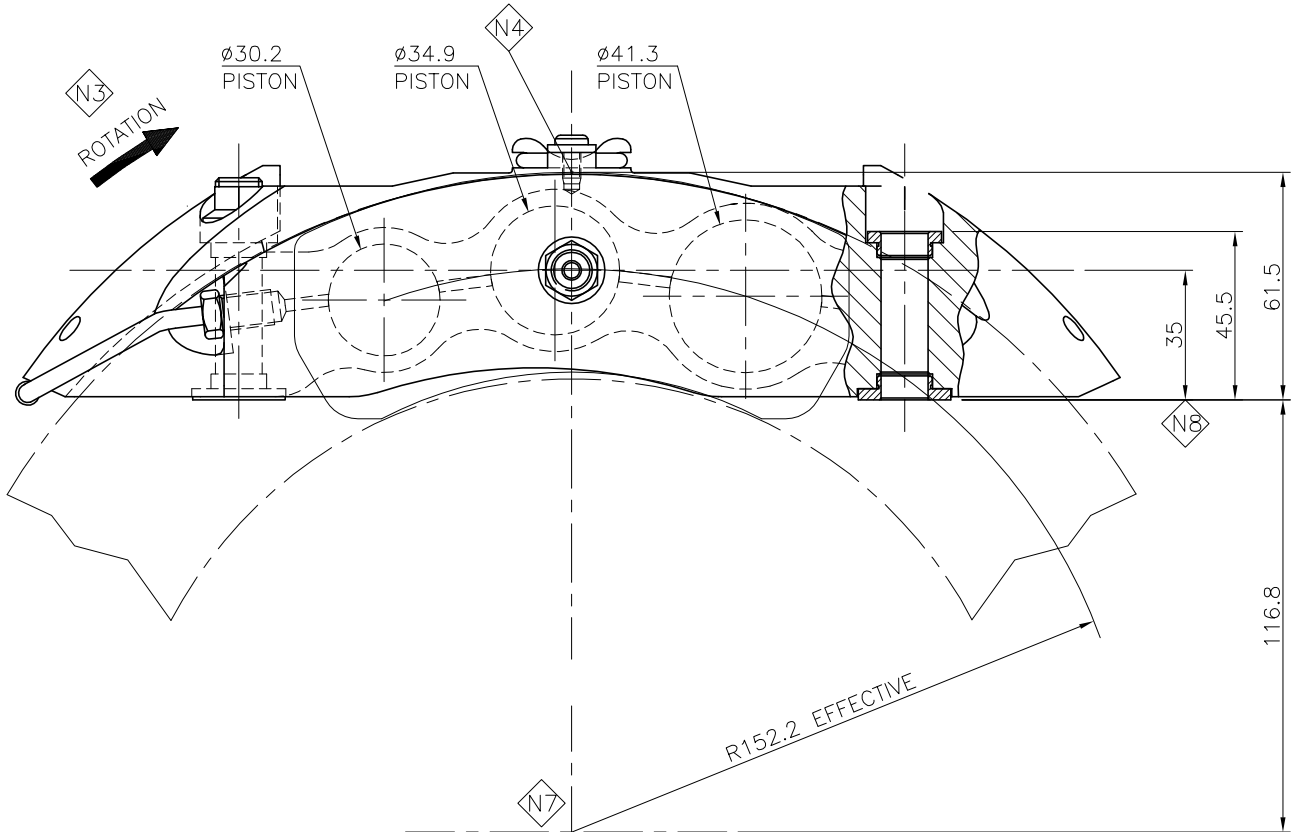
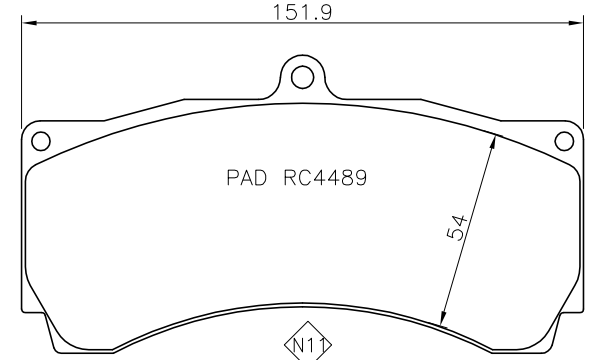
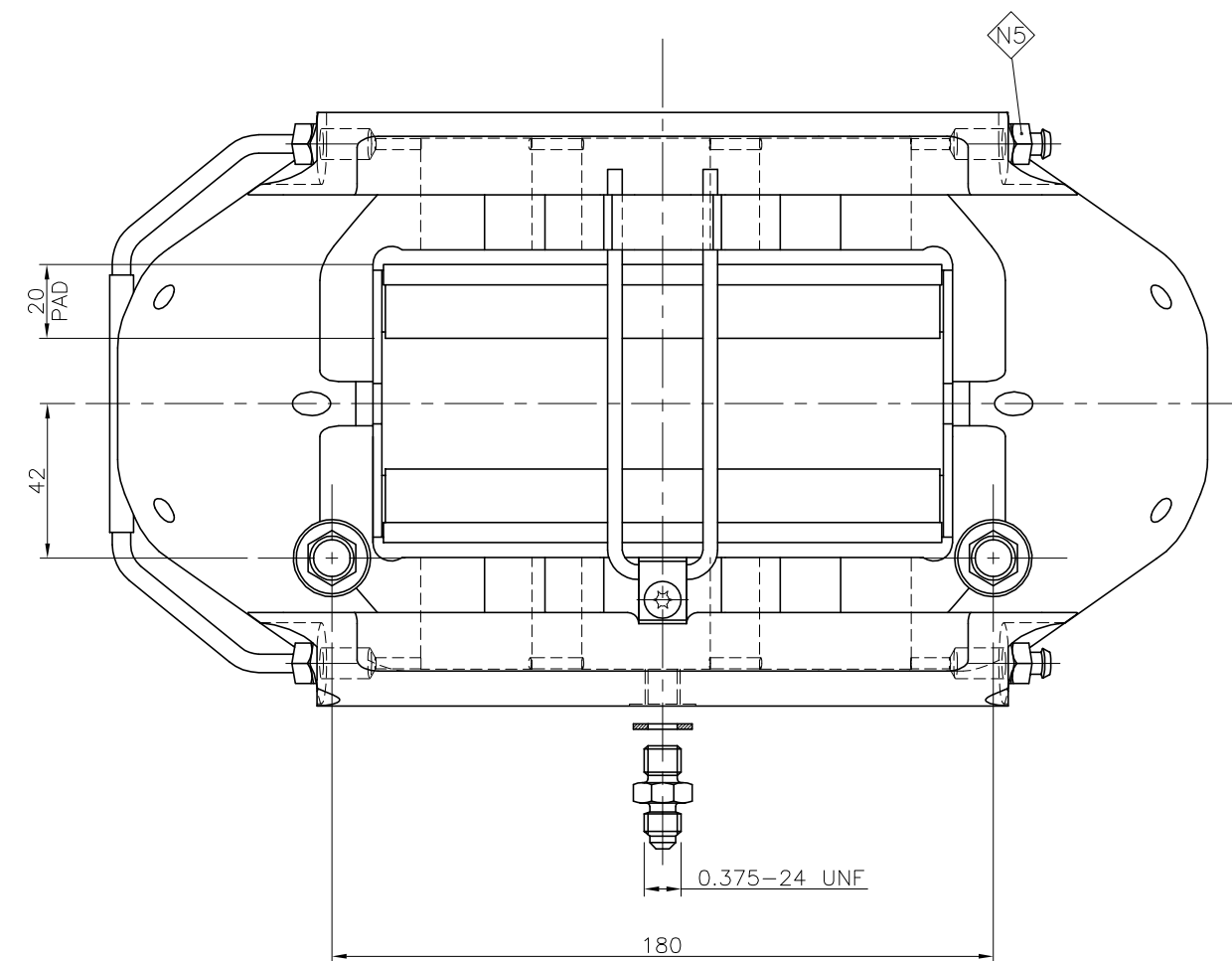
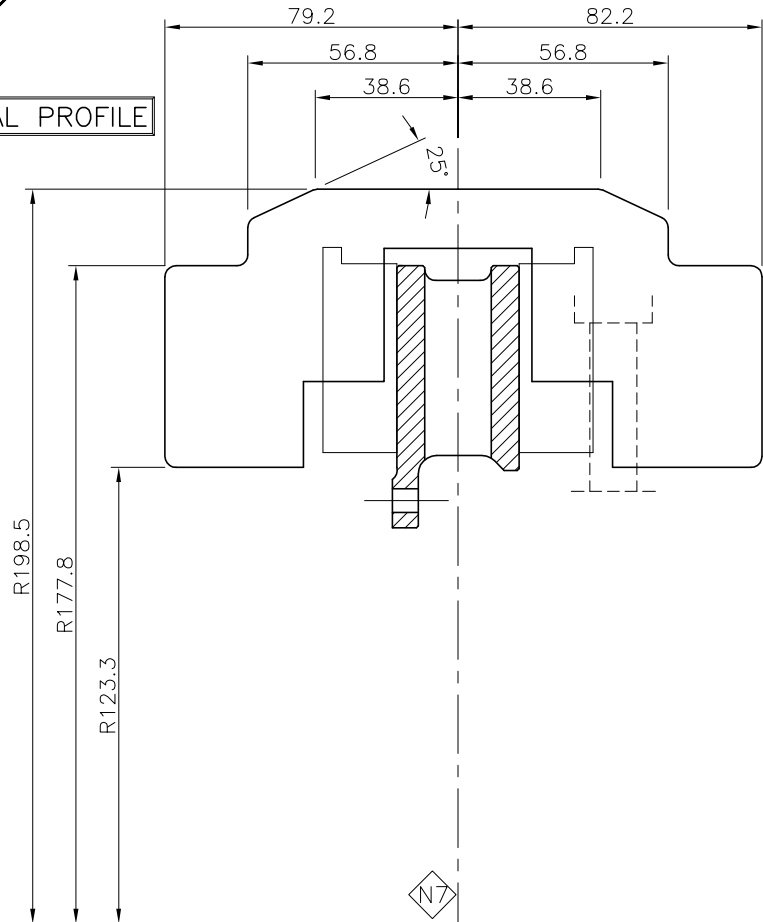


DO NOT SCALE IF IN DOUBT ASK

RADIAL PROFILE



- NOTES.
- N1 CAR8947Z06DSL AS SHOWN LEFT HAND TRAILING CALIPER
 - N2 CAR8947Z06DSRT SYMETRICALLY OPPOSITE RIGHT HAND TRAILING CALIPER
 - N3 DISC ROTATION. CALIPER MUST BE INSTALLED WITH BLEED SCREWS UPPERMOST
 - N4 INSTALL CALIPER WITH PAD 0.5mm ABOVE DISC
 - N5 TIGHTENING TORQUE FOR BLEED SCREWS:
- 14Nm HOT
- 18Nm COLD
BLEED SCREW MUST BE UPPERMOST
 - N6 ALL DIMENSIONS ARE NOMINAL
 - N7 DISC AXIS
 - N8 CALIPER MOUNTING FACE
 - N9 MANUFACTURING SPECIFICATION RC2013
 - N10 DISC - $\varnothing 355.6 \times 33$
 - N11 PAD SURFACE AREA - 78.0cm²



ISS		LOC.	CHANGE	SCALE	DRAWN BY	ALCON COMPONENTS LIMITED
3D MODEL: YES <input type="checkbox"/> NO <input checked="" type="checkbox"/>		g		FULL SCALE	PJW	APOLLO STAMFORTH STAFFORDSHIRE B79 7TN TEL: +44(0)1827 723700
WEIGHT		MATERIAL		CHECKED BY	NJF	NOTE: THIS DRAWING AND INFORMATION THERE UPON IS THE PROPERTY OF ALCON COMPONENTS LIMITED. IT IS LENT ON THE CONDITION THAT IT, IN WHOLE OR IN PART, SHALL NOT BE REPRODUCED, COPIED OR DISCLOSED TO ANY PERSON WITHOUT WRITTEN CONSENT OF ALCON AND SHALL BE RETURNED TO ALCON COMPONENTS LIMITED.
REMOVE ALL SHARP EDGES, BURRS AND SWAMP		HEAT TREAT./CURE CYCLE		MATERIAL CHECKED BY		PART NAME (Max. 40 digits) CALIPER INSTALLATION CORVETTE C5 FRONT
ALL DIMENSIONS ARE BEFORE TREATMENT UNLESS STATED		SURFACE TREATMENT		APPROVED BY		PART NUMBER CAR89i64
TOLERANCES UNLESS STATED ±0.2 ANGLES: ±0.5°		DATE		DATE		DRAWING ISSUE 1
DATE		DATE		DATE		MANUF CODE 1
DATE		DATE		DATE		SHEET FROM 1 1