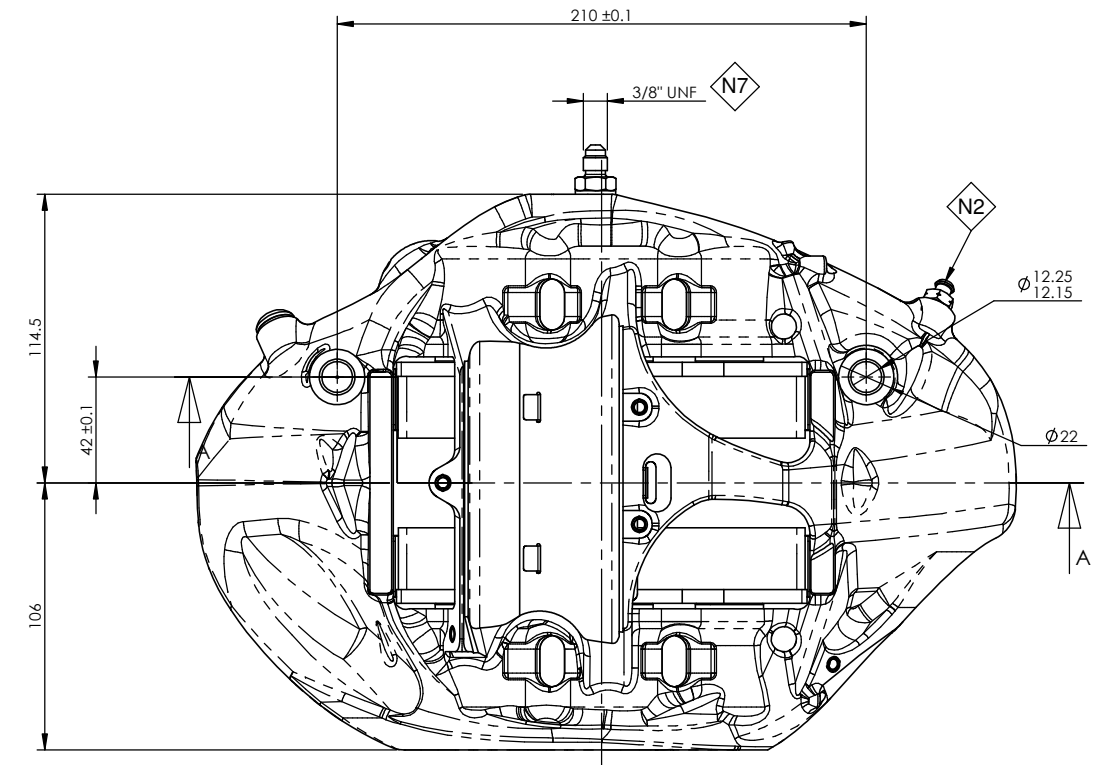
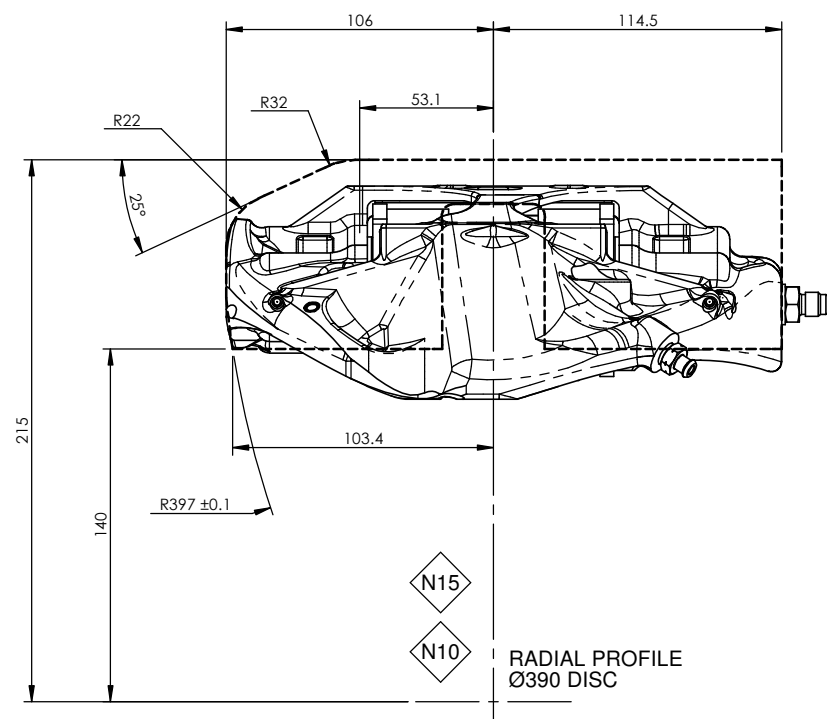
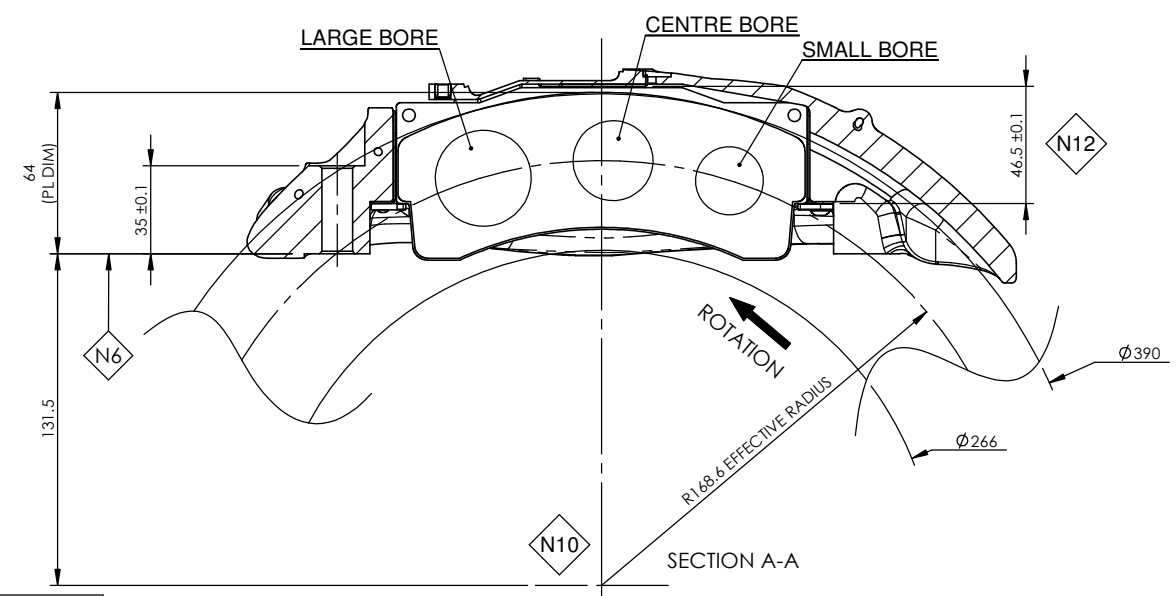
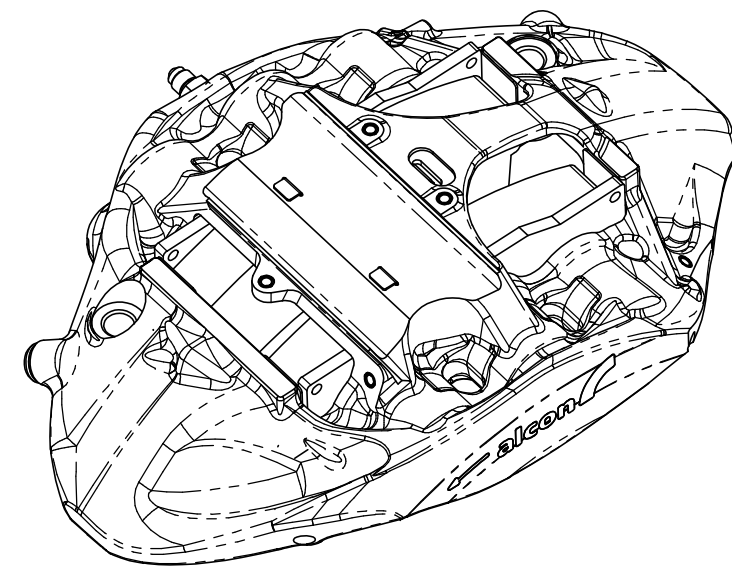
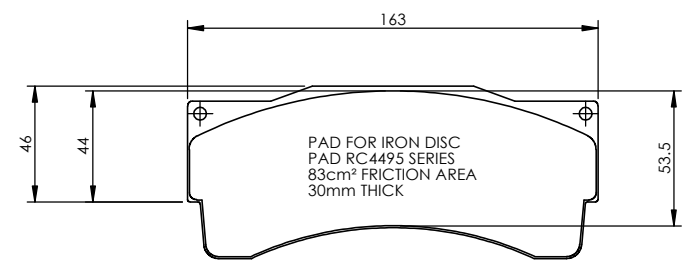
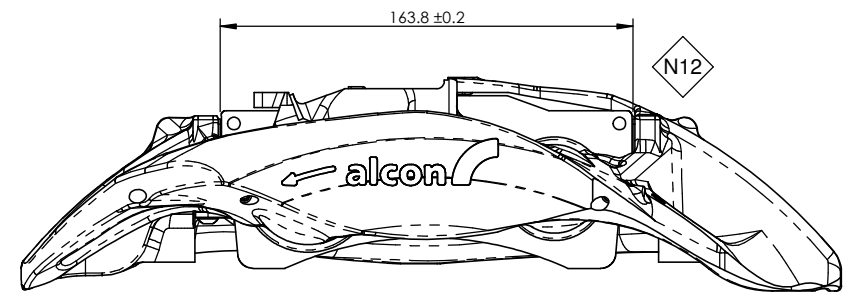


DO NOT SCALE
IF IN DOUBT ASK



NOTES:

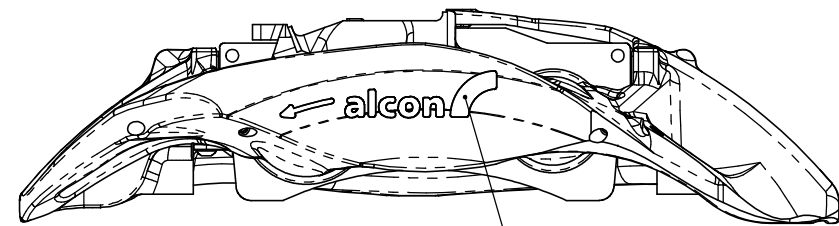
- N1: LEFT HAND LEADING CALIPER AS DRAWN
LEFT HAND TRAILING CALIPER DIFFERS BY BLEED SCREW LOCATION
RIGHT HAND LEADING CALIPER SYMMETRICALLY OPPOSITE
RIGHT HAND TRAILING CALIPER SYMMETRICALLY OPPOSITE WITH BLEED SCREW AT LARGE BORE END.
- N2: BLEED SCREW: 3/8"-24 UNF, MAXIMUM TORQUE: 14Nm HOT
18Nm COLD
- N3: INSTALL CALIPER WITH PAD 0.5mm ABOVE O.D. OF DISC &
A MINIMUM CLEARANCE BETWEEN DISC & CALIPER OF 2.5mm
- N4: ALL DIMENSIONS ARE NOMINAL UNLESS OTHERWISE STATED
- N5: TOTAL CALIPER PISTON AREA: 50.13cm²
- N6: CALIPER MOUNTING FACE
- N7: FLUID INLET
- N8: CALIPERS SUPPLIED LESS PADS
- N9: DISC SIZES: Ø390 x 35.6mm
- N10: DISC AXIS
- N11: ALL DIMENSIONS IN mm
- N12: DIMENSIONS FOR PAD FITMENT
- N13: CALIPER DESIGNED FOR USE WITH CONVENTIONAL 'O' RING SEAL
3/8"-24 UNF BLEED SCREW. DRY BREAKS CAN BE ORDERED
SEPARATELY FROM ALCON, PART NUMBER FTQ4410X637.
- N14: CALIPER ASSEMBLY WEIGHT LESS PADS 2.5Kg
- N15: DUE TO COMPLEXITY OF CALIPER SHAPE, WHEEL CLEARANCE
CHECKS SHOULD BE CARRIED OUT WITH 3D MODEL WHICH
IS AVAILABLE ON REQUEST.



Alcon Part No.	Hand	Orientation	Small Bore	Centre Bore	Large Bore	Remarks
CAR9549Y73TESRT	RIGHT	TRAILING	Ø27.0 (5.7cm ²)	Ø31.8 (7.9cm ²)	Ø38.1 (11.4cm ²)	
CAR9549Y73TESLT	LEFT	TRAILING	Ø27.0 (5.7cm ²)	Ø31.8 (7.9cm ²)	Ø38.1 (11.4cm ²)	
CAR9549Y73TESRL	RIGHT	LEADING	Ø27.0 (5.7cm ²)	Ø31.8 (7.9cm ²)	Ø38.1 (11.4cm ²)	
CAR9549Y73TESLL	LEFT	LEADING	Ø27.0 (5.7cm ²)	Ø31.8 (7.9cm ²)	Ø38.1 (11.4cm ²)	

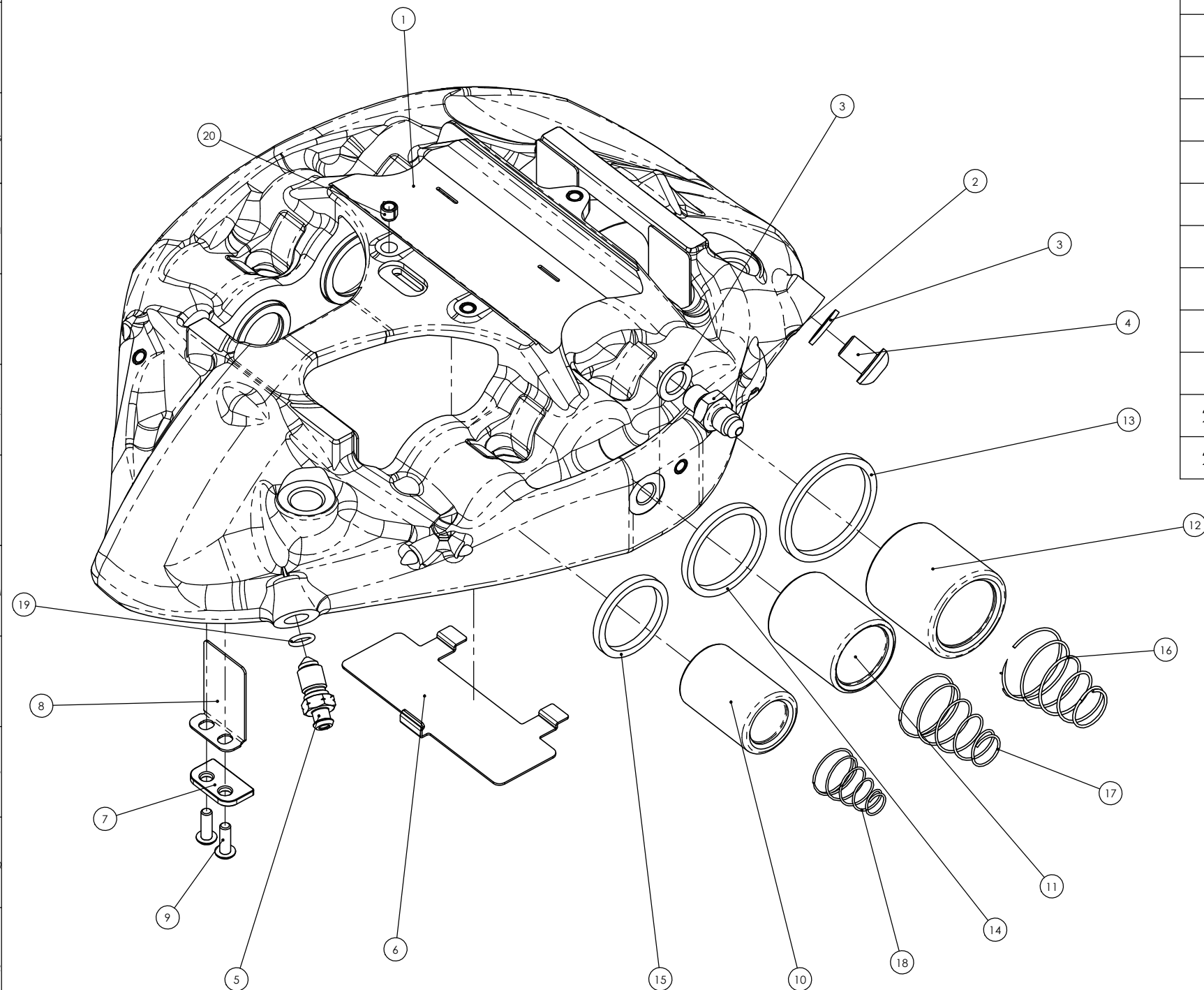
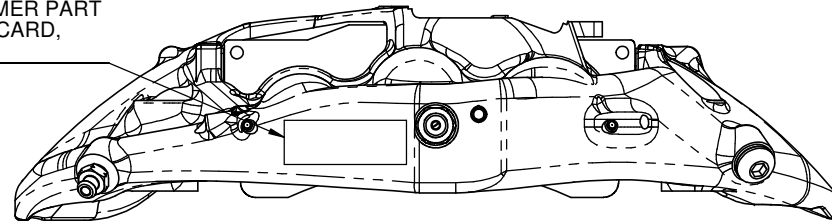
Issue	Change	LOC	DRN BY / Date	CHK BY / DATE	APP BY / Date
A	FIRST ISSUE		JH 13.02.12	GW 13.02.12	
DRAWN IN SOLIDWORKS		SCALE: 1:3	DESIGN BY: J HUMBLE	ALCON COMPONENTS LIMITED APOLLO TOWN STAFFORDSHIRE B79 7TN TEL: +44(0)1827 723700	
REMOVE ALL SHARP EDGES, BURRS AND SWarf		MATERIAL: VARIOUS	DATE: 13.02.2012	alicon	
TOLERANCES UNLESS STATED		DATE: 13.02.2012	CHK BY: G WISEMAN	THIS DRAWING AND INFORMATION THEREUPON IS THE PROPERTY OF ALCON COMPONENTS LTD. IT IS LENT ON THE CONDITION THAT IT IS WHOLE OR IN PART, SHALL NOT BE REPRODUCED, COPIED, LENT OR DISCLOSED TO ANY PERSON WITHOUT WRITTEN CONSENT OF ALCON AND SHALL BE RETURNED TO ALCON COMPONENTS LTD.	
SURFACE TREATMENT: ENP		DATE:	APP BY:	GT CALIPER	
CALIPER HOUSING - ENP		DATE:	DATE:	PART NUMBER: CAR95i43	REV: A

DO NOT SCALE
IF IN DOUBT ASK



ALCON LOGO AND DIRECTIONAL ARROW WITH TO FILLED WITH RED PAINT

LASER MARK ALCON PART NUMBER, DATE ASSEMBLED AND CUSTOMER PART NUMBER IF SPECIFIED ON JOB CARD, IN THIS AREA.



ITEM	QTY.	PART NUMBER	DESCRIPTION	NOTES
1	1	CAR9549Y1554L / R	CALIPER BODY	
2	1	FSA3435X630	3/8" UNF FLUID INLET ADAPTOR	19Nm±1 WITH LOCTITE 241
3	2	FCG0080X015	COPPER GASKET	
4	1	BSB0080X005	3/8"-24 UNF BUTTON HEAD LOW PROFILE	19Nm±1 WITH LOCTITE 241
5	1	FSB3430X689	BLEED SCREW 3/8"UNF ('O' RING TYPE)	14Nm HOT - MAX 18Nm COLD - MAX
6	1	PSC4495X576	UPPER WEAR PLATE	
7	4	SSC4495X570	PAD SUPPORT	
8	4	ASC4495X569	WEAR PLATE	
9	8	BSB0080X753	8-32UNC x 1/2" BUTTON HEAD SCREW	2.3/2.7 Nm WITH LOCTITE 241
10	2	PTS4471X823LE	Ø27 TITANIUM PISTON	
11	2	PTS4471X845LE	Ø31.8 TITANIUM PISTON	
12	2	PTS4438X554LE	Ø38.1 TITANIUM PISTON	
13	2	SES3800X751	Ø38.1 PISTON SEAL	KLÜBER UNISILKON TKM 1011
14	2	SES3200X751	Ø31.8 PISTON SEAL	KLÜBER UNISILKON TKM 1011
15	2	SES2700X751	Ø27 PISTON SEAL	KLÜBER UNISILKON TKM 1011
16	1	SSC3435X609	2Kg ANTI-KNOCKBACK SPRING	LARGE PISTON
17	1	SSC3435X623	2Kg ANTI-KNOCKBACK SPRING	MIDDLE PISTON
18	1	SSC3435X616	2Kg ANTI-KNOCKBACK SPRING	SMALL PISTON
19	1	SER0080X176	0.280"X0.063" EPDM O-SEAL	
20	6	TSC4410X528	8-32 UNC LOCKING KEENSERTS	
21	8	PSC0080X603	LEE PLUG 4.0 SHORT STAINLESS STEEL	

DRAWN IN SOLIDWORKS WEIGHT: SEE NOTES grams REMOVE ALL SHARP EDGES, BURRS AND SWarf FINISH: Ra (various) ALL DIMENSIONS ARE BEFORE TREATMENT UNLESS STATED TOLERANCES UNLESS STATED: ±0.2, ANGLES: 80.9° SURFACE TREATMENT: CALIPER HOUSING - ENP	SCALE: 1:3 MATERIAL: VARIOUS BULLET/CASTING: ... HEAT TREATMENT: ... DATE: 13.02.2012	DRAWN BY: J HUMBLE DATE: 13.02.2012 CHECKED BY: G WISEMAN DATE: 13.02.2012 APPROV BY: ... DATE: ...	ALCON COMPONENTS LIMITED APOLLO TOWN STAFFORDSHIRE B79 7TN TEL: +44(0)1827 723700 THIS DRAWING AND INFORMATION HEREUPON IS THE PROPERTY OF ALCON COMPONENTS LTD. IT IS LENT ON THE CONDITION THAT IT IS WHOLE OR IN PART, SHALL NOT BE REPRODUCED, COPIED, LENT OR DISCLOSED TO ANY PERSON WITHOUT WRITTEN CONSENT OF ALCON AND SHALL BE RETURNED TO ALCON COMPONENTS LTD. PART NAME (Max. 80 chars): GT CALIPER PART NUMBER: CAR95443 DRAWN: A SHEETS: 2 of 2 SHEET NO: A3
---	---	--	--