

advantage

2 piston blank lug

R-type caliper

PRODUCT REF

CLR280/11-35LL

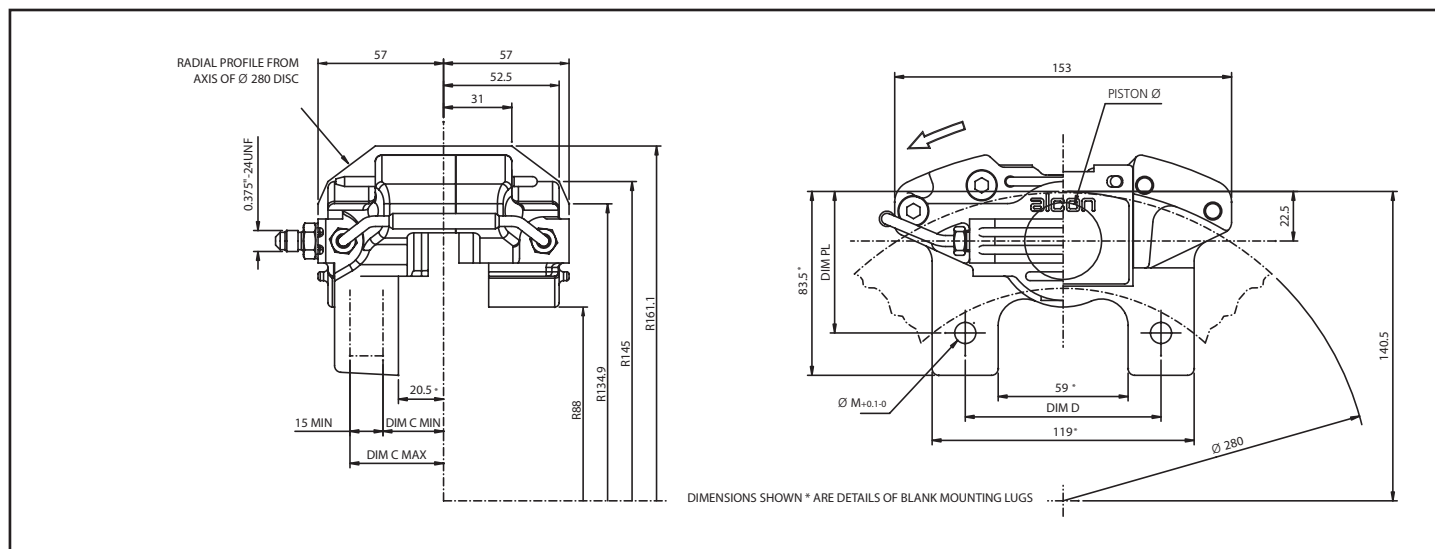
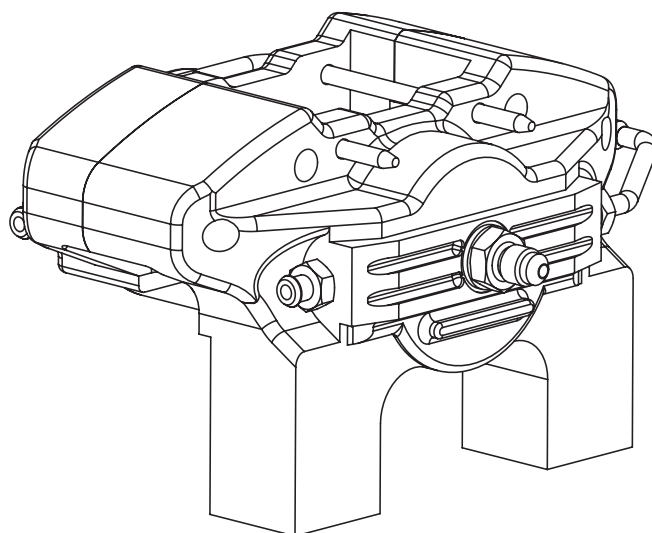
CLR280/11-35RL

CLR280/11-35LT

CLR280/11-35RT

KEY FEATURES AND BENEFITS

- **Blank lug**
Can be machined to suit a wide variety of applications
- **Made from aerospace grade aluminium alloy**
High strength to weight ratio
- **Hard anodised finish**
High wear and corrosion resistance
- **Uses popular R-type pad shape**
Wide range of friction materials available
- **Quick release pad retaining clip**
- **High temperature EPDM seal material**
Optimum piston control



SPECIFICATION		MOUNTING DETAILS		PAD REFERENCES	
piston diameter	34.9	DIM C min	20.5	Alcon	RC3451XSP
disc diameter	250-280	DIM C max	46.0	Carbone Lorraine	5002
disc thickness	9.6-11.1	DIM D min	86.0	Ferodo	FCP809
caliper weight	1.30 kg	DIM D max	90.0	Hawk	HB118
pad area	49.8 cm ²	diameter M min	9.6	Mintex	MGB533
pad thickness	14	diameter M max	12.2	Pagid	U3102
seal kit reference	CSK35E900	DIM PL min	47.0	SBS	3060
		DIM PL max	69.0		