

advantage

6 piston radial mount caliper



PRODUCT REF

CR6380/32-30/35/38LL

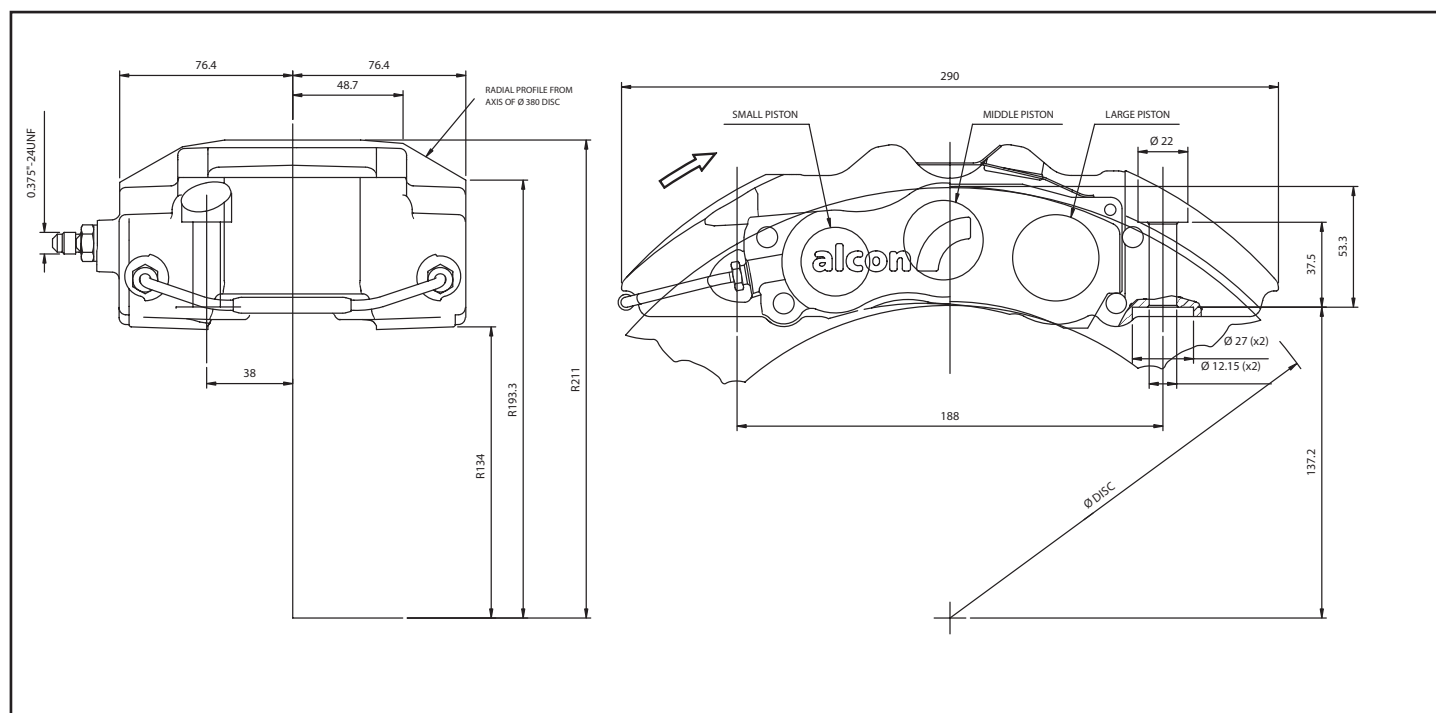
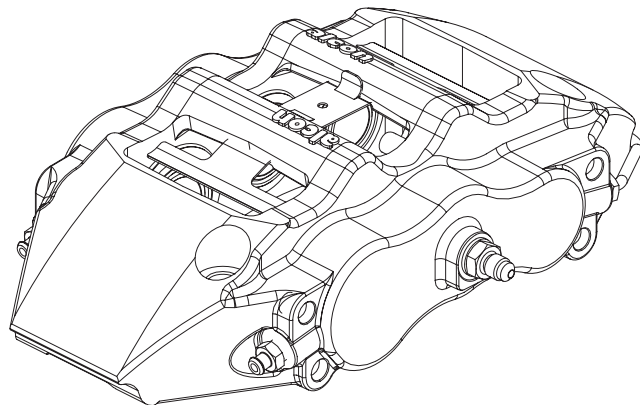
CR6380/32-30/35/38RL

CR6380/32-30/35/38LT

CR6380/32-30/35/38RT

KEY FEATURES AND BENEFITS

- **Radial mounting for maximum rigidity**
Firm, consistent pedal
- **Made from aerospace grade aluminium alloy**
High strength to weight ratio
- **Differential piston diameters**
Minimises pad taper wear
- **Uses either popular pad shapes**
Wide range of friction materials available from most manufacturers



SPECIFICATION

| | |
|-----------------|--------------------|
| piston diameter | 30.2 / 34.9 / 38.1 |
| disc diameter | 343-380 |
| disc thickness | 30-32 |
| caliper weight | 3.5kg |
| pad area | 74 cm ² |
| pad thickness | 18 |

seal kit reference CSK303538E751

PAD SHAPES

| | |
|--------|---------|
| Alcon | 4497 |
| Ferodo | FRP3081 |
| Pagid | U8028 |
| Mintex | MDB2607 |
| SBS | 3061 |