

advantage



4 piston radial mount B-type caliper - 28mm disc

PRODUCT REF

CRB304/28-41/44LL

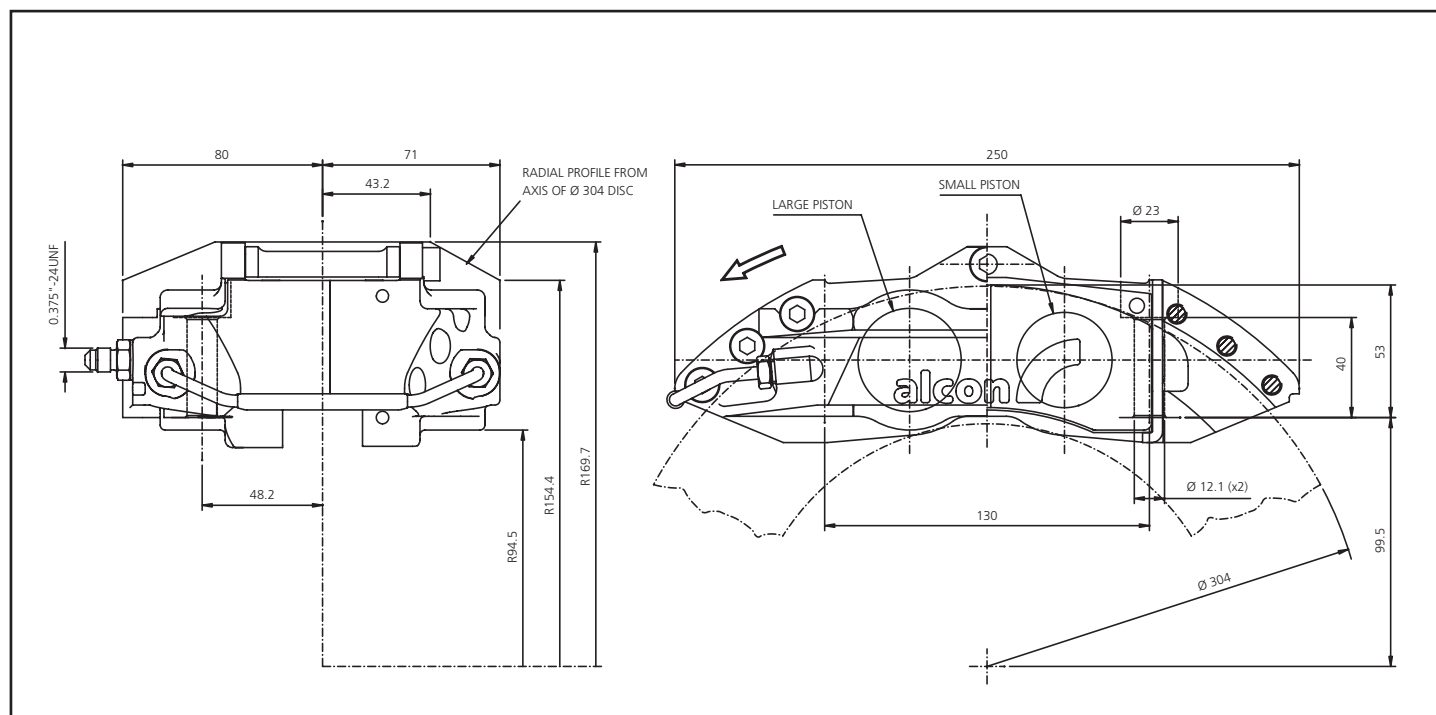
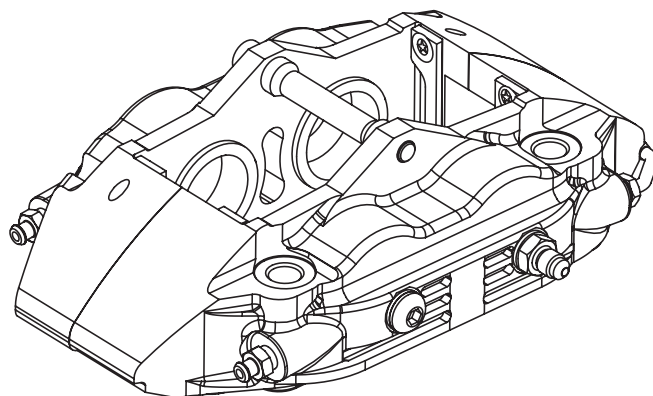
CRB304/28-41/44RL

CRB304/28-41/44LT

CRB304/28-41/44RT

KEY FEATURES AND BENEFITS

- **Radial mounting for maximum rigidity**
Firm, consistent pedal
- **Made from aerospace grade aluminium alloy**
High strength to weight ratio
- **Differential piston diameters**
Minimises pad taper wear
- **Uses popular B-type pad shape**
Wide range of friction materials available
- **Pad retaining sleeve**
High rigidity with straightforward pad changes



SPECIFICATION

piston diameter	41.3 / 44.5
disc diameter	250-304
disc thickness	25.4-28
caliper weight	2.56kg
pad area	133 cm ²
pad thickness	16
seal kit reference	CSK4145E751

PAD SHAPES

Alcon	4441
Carbone Lorraine	5005W50
Ferodo	FRP1077
Hawk	HB105
Mintex	MDB1697
Pagid	U1595
SBS	3002