

advantage



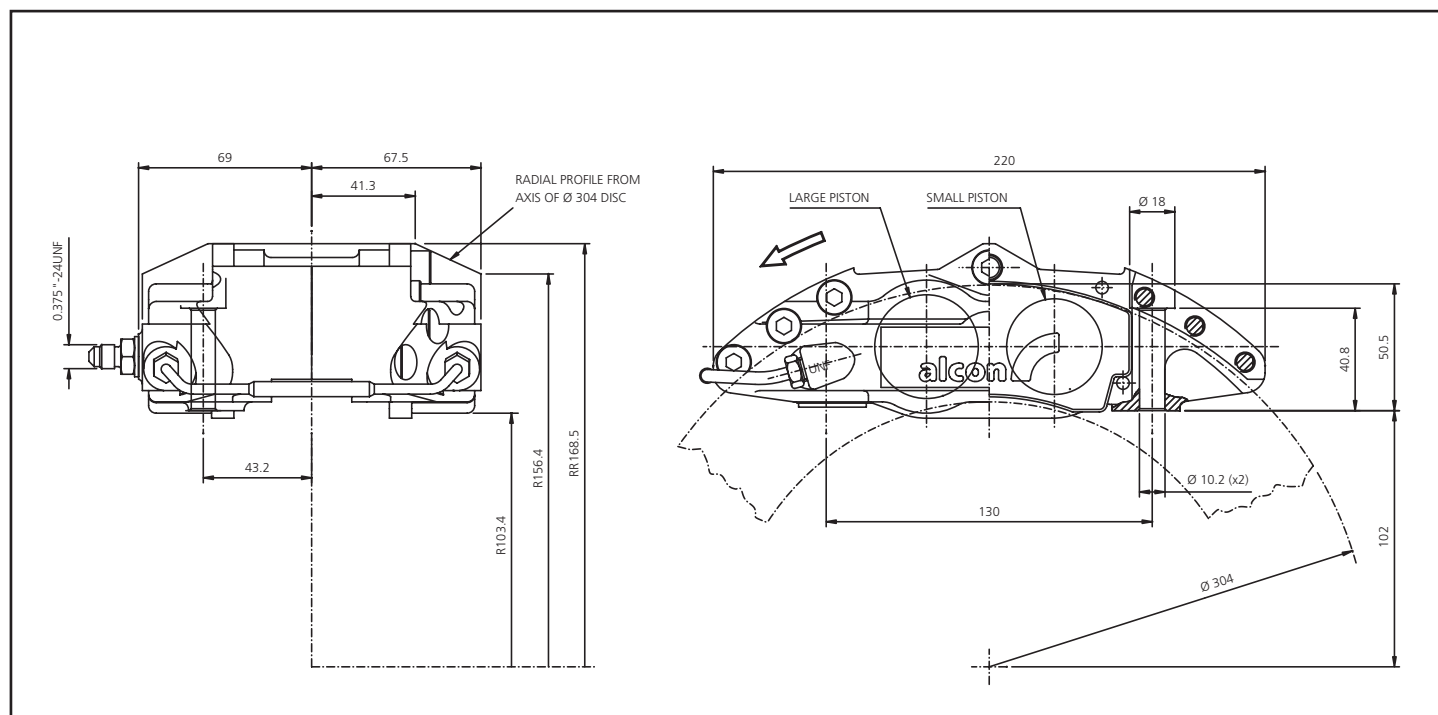
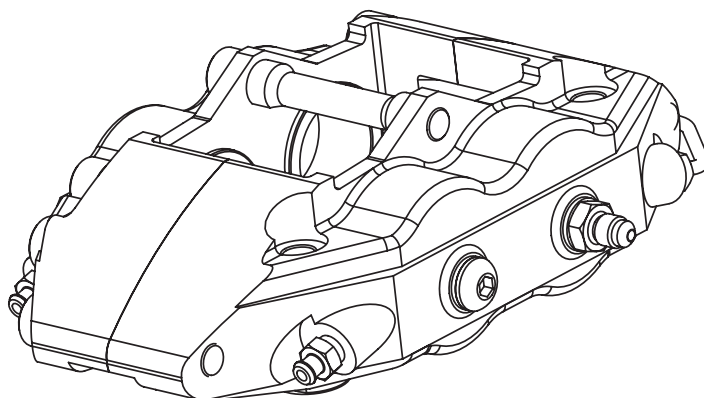
4 piston radial mount H-type caliper

PRODUCT REF

CRH304/28-32/32LL	CRH304/28-38/41LL
CRH304/28-32/32RL	CRH304/28-38/41RL
CRH304/28-32/32LT	CRH304/28-38/41LT
CRH304/28-32/32RT	CRH304/28-38/41RT

KEY FEATURES AND BENEFITS

- **Radial mounting for maximum rigidity**
Firm, consistent pedal
- **Made from aerospace grade aluminium alloy**
High strength to weight ratio
- **Differential piston diameters**
Minimises pad taper wear
- **Uses popular H-type pad shape**
Wide range of friction materials available
- **Pad retaining sleeve**
High rigidity with straightforward pad changes



SPECIFICATION	32/32	38/41	PAD SHAPES	
piston diameter	31.8 / 31.8	38.1 / 41.3	Alcon	4463
disc diameter	250-304	250-304	Carbone Lorraine	5007W43 / 5003W48
disc thickness	25.4-28	25.4-28	Ferodo	FRP219 / FRP201
caliper weight	1.91kg	1.91kg	Hawk	HB107
pad area	84cm ² / 89cm ²	84cm ² / 89cm ²	Mintex	MDB1200 / MDB1864
pad thickness	16	16	Pagid	U1265
			SBS	3001
seal kit reference	CSK3232E900	CSK3841E900		