

advantage



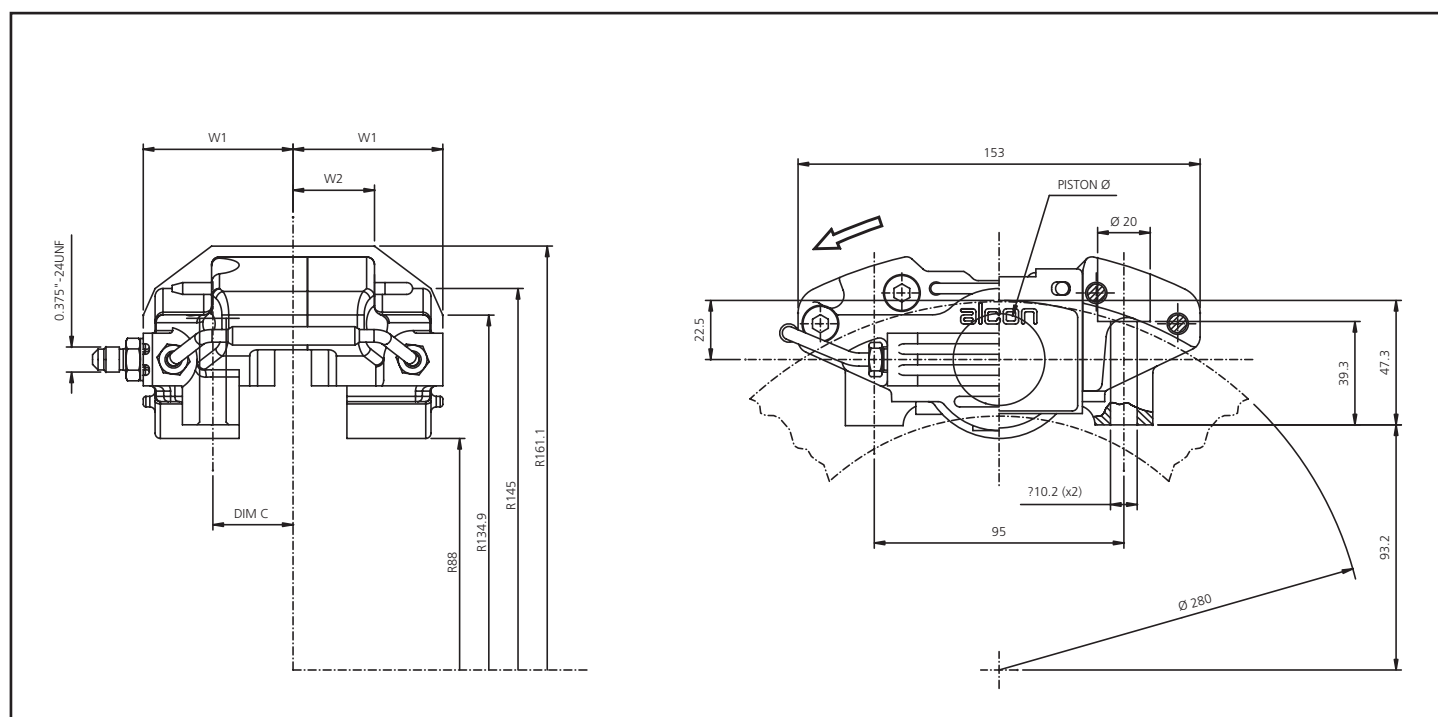
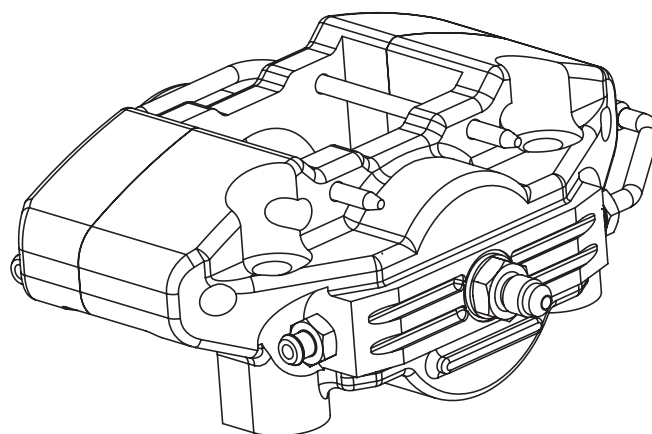
2 piston radial mount R-type caliper

PRODUCT REF

CRR280/11-35LL	CRR280/25-44LL
CRR280/11-35RL	CRR280/25-44RL
CRR280/11-35LT	CRR280/25-44LT
CRR280/11-35RT	CRR280/25-44RT

KEY FEATURES AND BENEFITS

- **Radial mounting for maximum rigidity**
Firm, consistent pedal
- **Made from aerospace grade aluminium alloy**
High strength to weight ratio
- **Uses popular R-type pad shape**
Wide range of friction materials available
- **Quick release pad retaining clip**
- **High temperature EPDM seal material**
Optimum piston control



SPECIFICATION	280/11	280/25
piston diameter	34.9	44.5
disc diameter	250-280	250-280
disc thickness	9.6-11.1	22.9-25.4
caliper weight	1.30 kg	1.35 kg
pad area	49.8 / 56 cm ²	49.8 / 56 cm ²
pad thickness	14	14
seal kit reference	CSK35E900	CSK45E751

MOUNTING DETAILS	280/11	280/25
piston diameter	34.9	44.5
DIM C	30.5	38.5
W1	57.0	65
W2	31.0	39

PAD REFERENCES	
Alcon	RC3451XSP
Carbone Lorraine	5002W43 / 5002W48
Ferodo	FCP809 / FCP810
Hawk	HB118 / HB175
Mintex	MGB533 / MGB535
Pagid	U3102 / U3190
SBS	3060