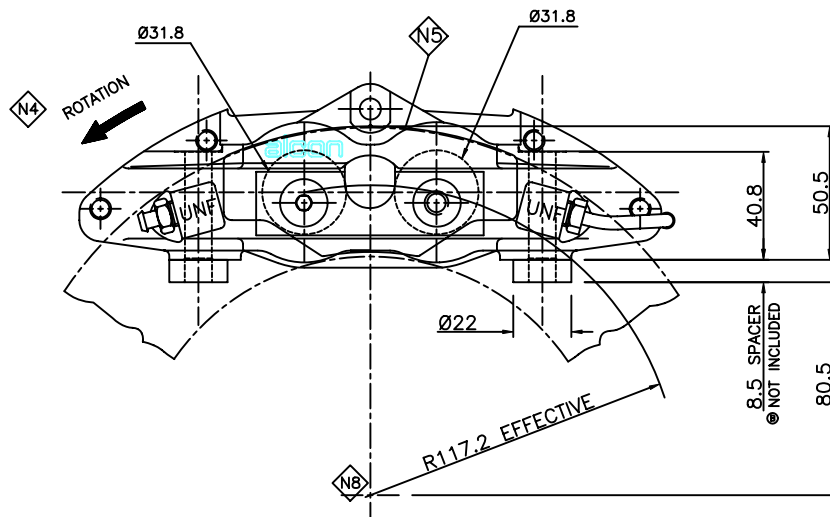
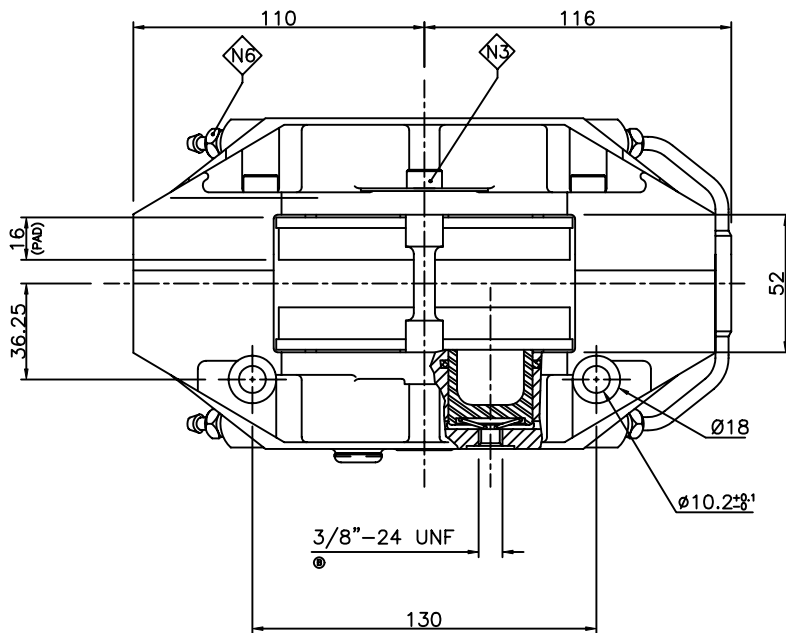
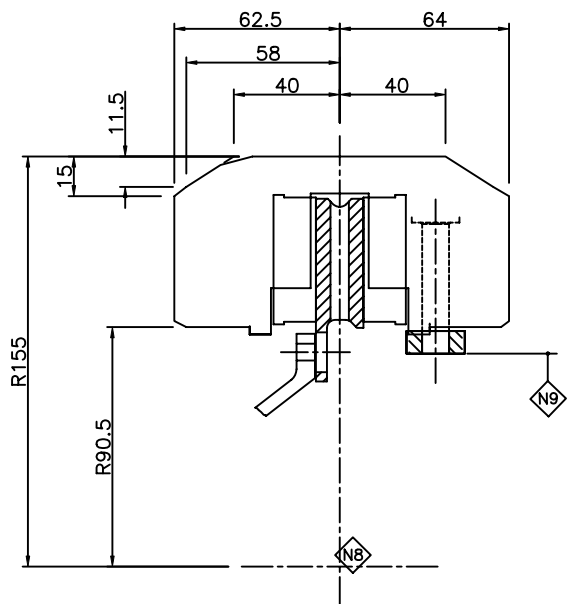


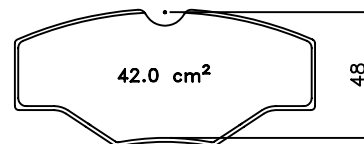
RADIAL PROFILE



REVISION		
ISSUE	DATE	PARTICULARS
A	15.07.03	FIRST ISSUE
B	28.06.03	8.5mm SPACER NOW NOT INCLUDED FLUID INLET ADAPTER DELETED

NOTES:

- N1: RIGHT HAND TRAILING CALIPER AS DRAWN
LEFT HAND TRAILING SYMMETRICALLY OPPOSITE
- N2: MANUFACTURING SPECIFICATION: RC2013
- N3: PAD BOLT (11-13.5Nm) PAD MUST BE FREE TO MOVE AFTER TIGHTENING BOLT
- N4: DISC ROTATION.
- N5: INSTALL CALIPER WITH PAD 0.5mm ABOVE DISC
- N6: BLEED SCREW: - 14Nm HOT
- N7: ALL DIMENSIONS ARE NOMINAL
- N8: DISC AXIS
- N9: CALIPER MOUNTING FACE
- N10: PAD PROFILE MAY VARY DEPENDING UPON MATERIAL SPECIFICATION



© 2003 Alcon Components Ltd Tamworth England
THIS DOCUMENT IS CONFIDENTIAL AND THE COPYRIGHT THEREIN ARE THE PROPERTY OF ALCON LTD. THE DOCUMENT AND ANY INFORMATION THEREIN MAY NOT BE USED, COPIED OR DISCLOSED TO ANY THIRD PARTY WITHOUT THE PRIOR WRITTEN AUTHORIZATION OF ALCON COMPONENTS LTD.

DRAWN	GW	DATE	15.07.03
APPROVED	PJS	SCALE	1:1

TITLE CALIPER INSTALLATION
16mm H-TYPE, RADIAL MOUNTING
STAR MAZDA RACE CAR

DRG No. **CAR63i22**

CALIPER PART No	DISC SIZE		REMARKS
	Ø	WIDTH	
CAR6347B02ARLL CAR6347B02ARRL	278	18.0	