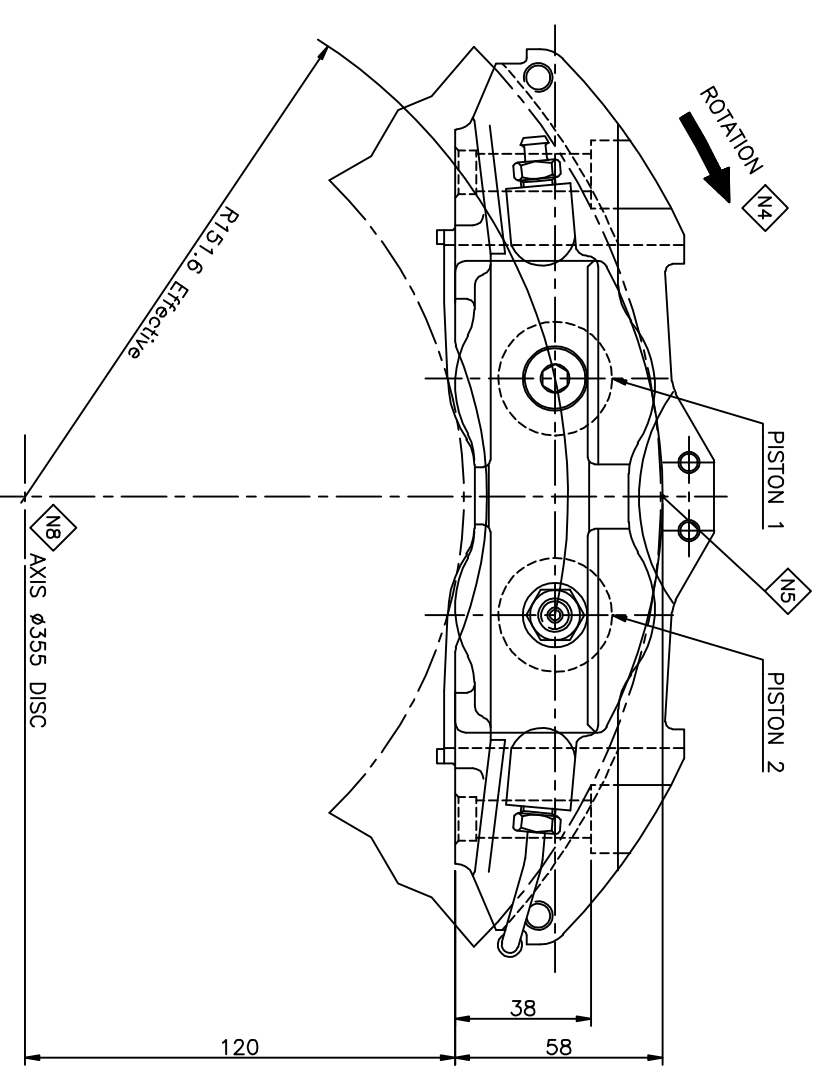
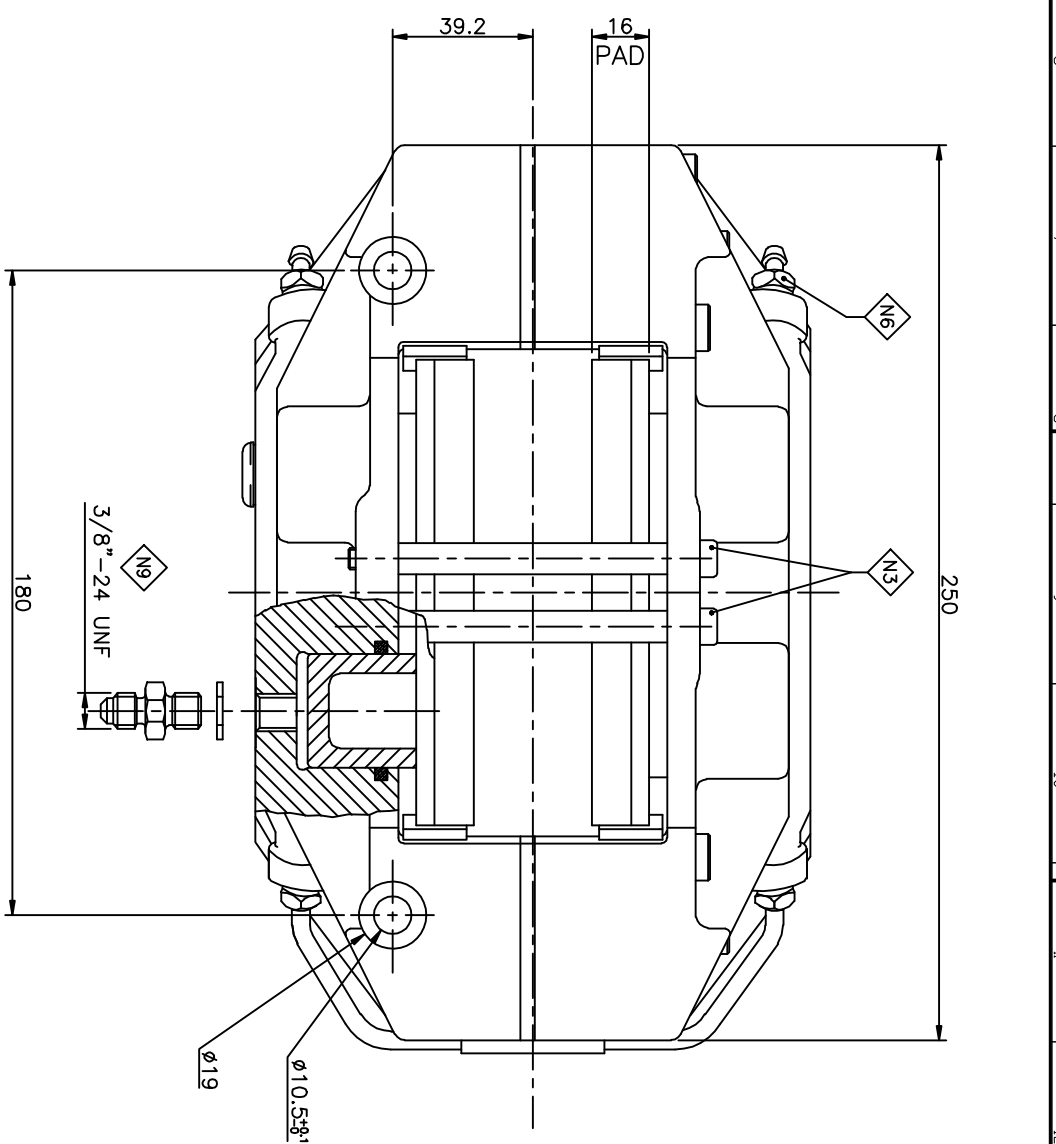
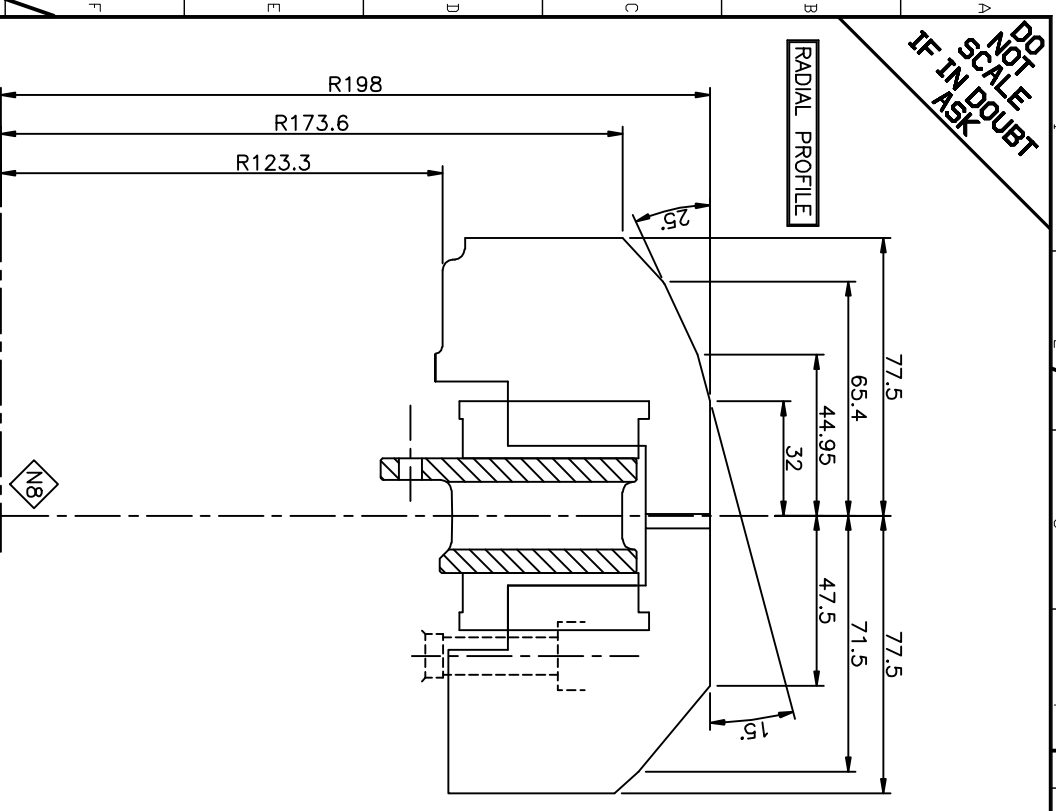
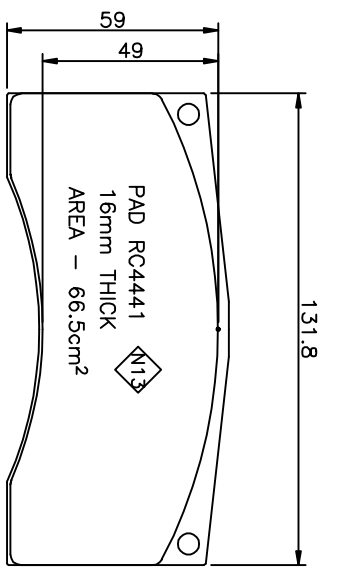


**DO NOT SCALE IF IN DOUBT ASK**



- NOTES:**
- N1: LH LEADING / RH TRAILING CALIPER AS DRAWN  
RH LEADING / LH TRAILING SYMMETRICALLY OPPOSITE
  - N2: MANUFACTURING SPECIFICATION: RC2013
  - N3: PAD BOLT (7-9.5mm) PAD MUST BE FREE TO MOVE AFTER TIGHTENING BOLTS
  - N4: DISC ROTATION, DISC MUST PASS SMALL PISTON DIAMETER FIRST.
  - N5: INSTALL CALIPER WITH PAD 0.5 ABOVE DISC OD
  - N6: BLEED SCREW: - 14NM HOT  
- 18NM COLD
  - N7: ALL DIMENSIONS ARE NOMINAL UNLESS STATED
  - N8: DISC AXIS
  - N9: FLUID INLET 3/8-24 UNF
  - N10: LASER MARK ALCON LOGO AND OTHER DETAILS AS SPECIFIED
  - N11: WITH CALIPER INSTALLED, DISC MUST BE CENTRAL WITHIN ±0.5
  - N12: CALIPERS SUPPLIED LESS PADS, PROFILE OF AVAILABLE PAD:



CAR6848AE27SSRT/RL	Ø34.9	Ø28.6	Ø355	30 - 32	
CAR6848AE27SSL/LT	Ø28.6	Ø34.9	Ø355	30 - 32	
CALIPER PART No	PISTON 1	PISTON 2	DISC DIAMETER	DISC WIDTH	REMARKS

ISS LDC CHANGE	SCALE	ISS LDC CHANGE	SCALE
1	FULL SCALE	9	FULL SCALE
DATE: 28.01.15	DATE: 28.01.15	DATE: 28.01.15	DATE: 28.01.15
DESIGNED BY: LR	DESIGNED BY: LR	DESIGNED BY: LR	DESIGNED BY: LR
CHECKED BY:	CHECKED BY:	CHECKED BY:	CHECKED BY:
APPROVED BY:	APPROVED BY:	APPROVED BY:	APPROVED BY:
DATE:	DATE:	DATE:	DATE:
CALIPER INSTALLATION CAR68 REAR (Ø355x30/32) PART NUMBER: CAR6832 DRAWING CODE: 1			