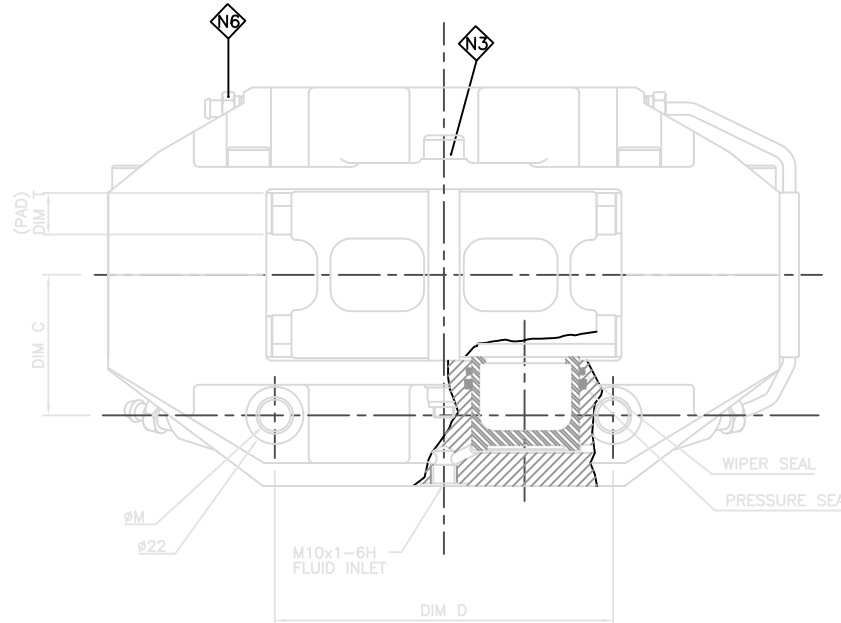
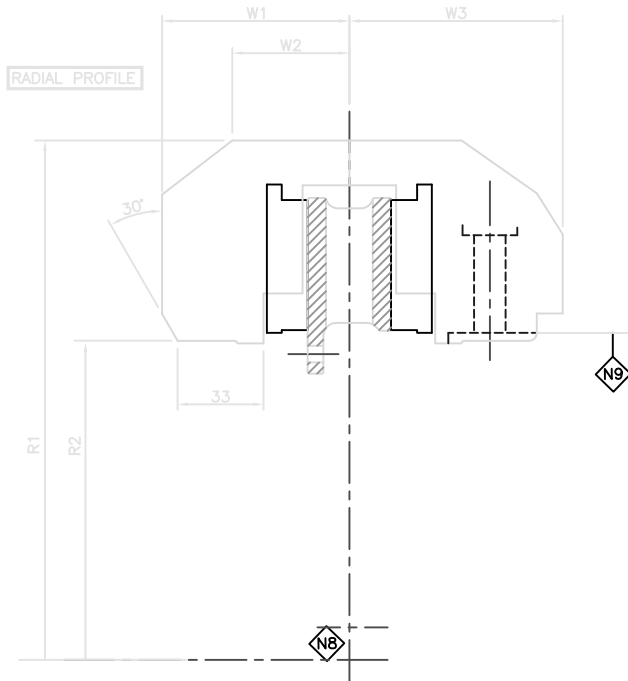


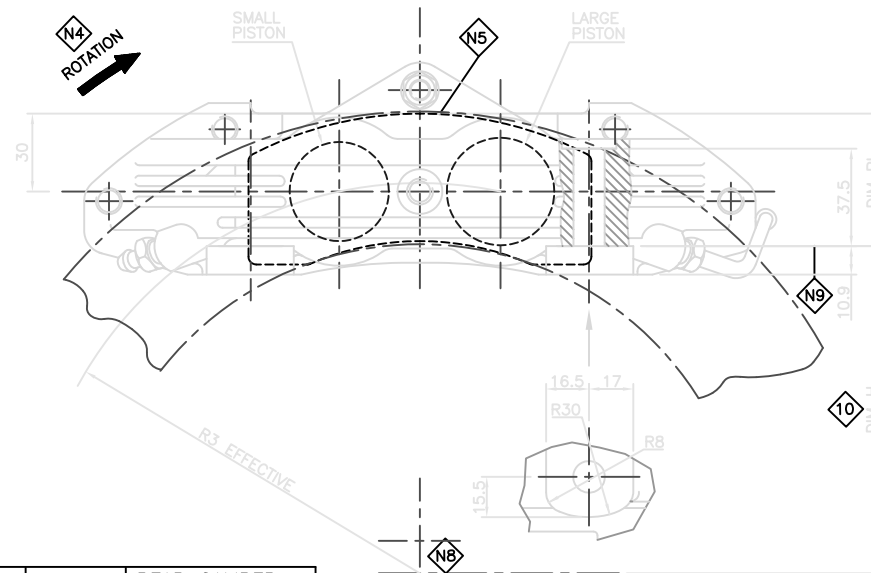
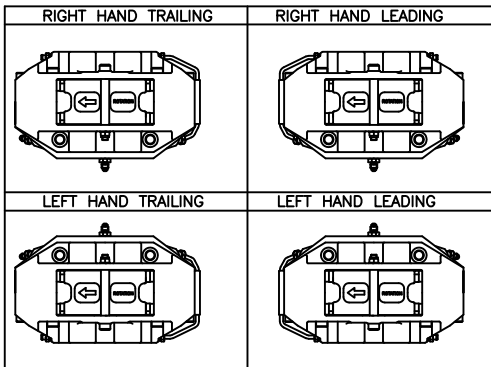
REVISION		
ISSUE	DATE	PARTICULARS
A	08.02.02	FIRST ISSUE



NOTES:

- N1: LEFT HAND LEADING CALIPER AS DRAWN
RIGHT HAND LEADING CALIPER SYMMETRICALLY OPPOSITE
- N2: MANUFACTURING SPECIFICATION: RC2013
- N3: PAD BOLT (11-13.5Nm)
- N4: DISC ROTATION; DISC MUST PASS SMALL PISTON DIAMETER FIRST.
- N5: PAD MATERIAL OUTLINE
INSTALL CALIPER WITH PAD MATERIAL 0.8mm NOMINAL BELOW DISC OUTSIDE DIAMETER.
PAD AREA: 133cm² PER CALIPER
- N6: BLEED SCREW 14Nm HOT
18Nm COLD
- N7: ALL DIMENSIONS ARE NOMINAL UNLESS STATED
- N8: DISC AXIS
- N9: CALIPER MOUNTING FACE
- N10: DIM H = (DISC DIAMETER / 2 - 0.8) - DIM PL
- N11: PAD PROFILE

DISC SIZE	R1	R2	R3	W1	W2	W3
ø330x32	187	110	138	72	45	82
ø355x32	198	121	150	72	45	82



CAR7350B60	31.8	31.8	54	130	12.2	51	16	ø330		32	REAR CALIPER
								min	max		
CAR7350H60	41.3	38.1						ø355			FRONT CALIPER
CALIPER PART No	LARGE PISTON	SMALL PISTON	DimC	DimD	øM	Dim PL	DimT	DISC		THICKNESS	REMARKS

© 2000 Components Ltd Tamworth England
THIS DOCUMENT IS CONFIDENTIAL AND THE COPYRIGHT THEREIN ARE THE PROPERTY OF ALCON LTD. THE DOCUMENT AND ANY INFORMATION THEREIN MAY NOT BE USED, COPIED OR DISCLOSED TO ANY THIRD PARTY WITHOUT THE PRIOR WRITTEN AUTHORIZATION OF ALCON COMPONENTS LTD.

DRAWN PJW DATE 08.02.02
APPROVED PJS SCALE 1:1

TITLE CALIPER INSTALLATION
RADIAL MOUNTING

DRG No. CAR73i61