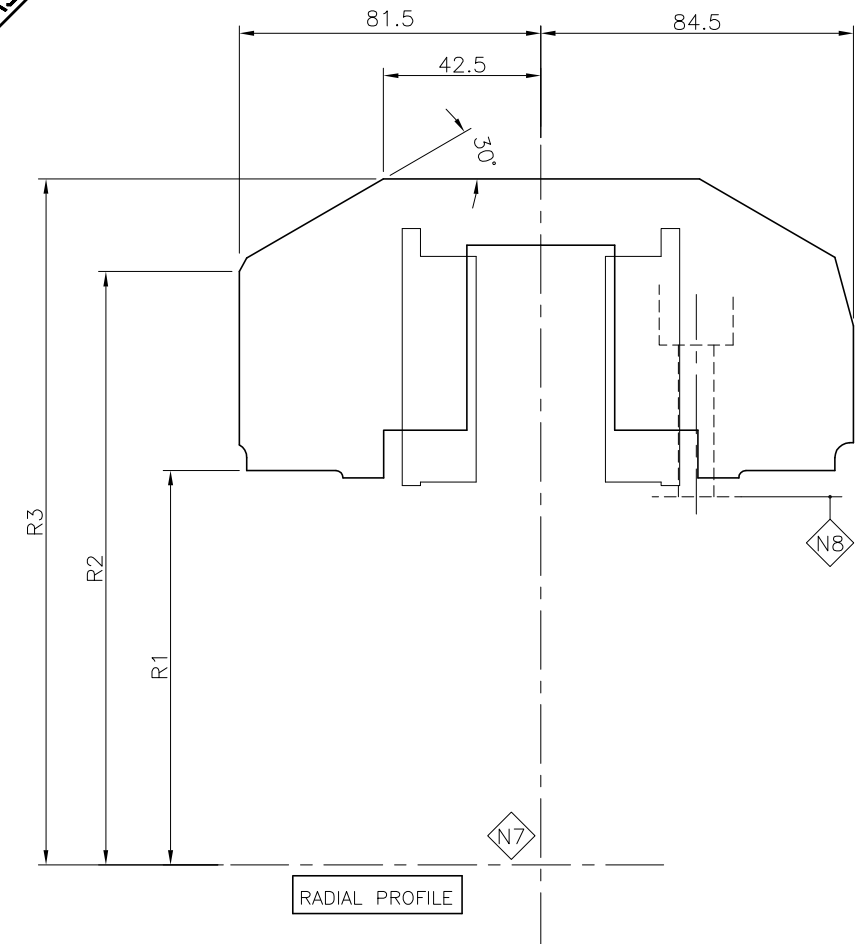
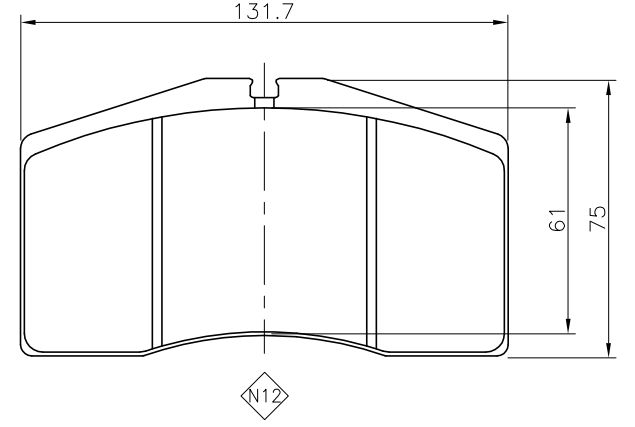
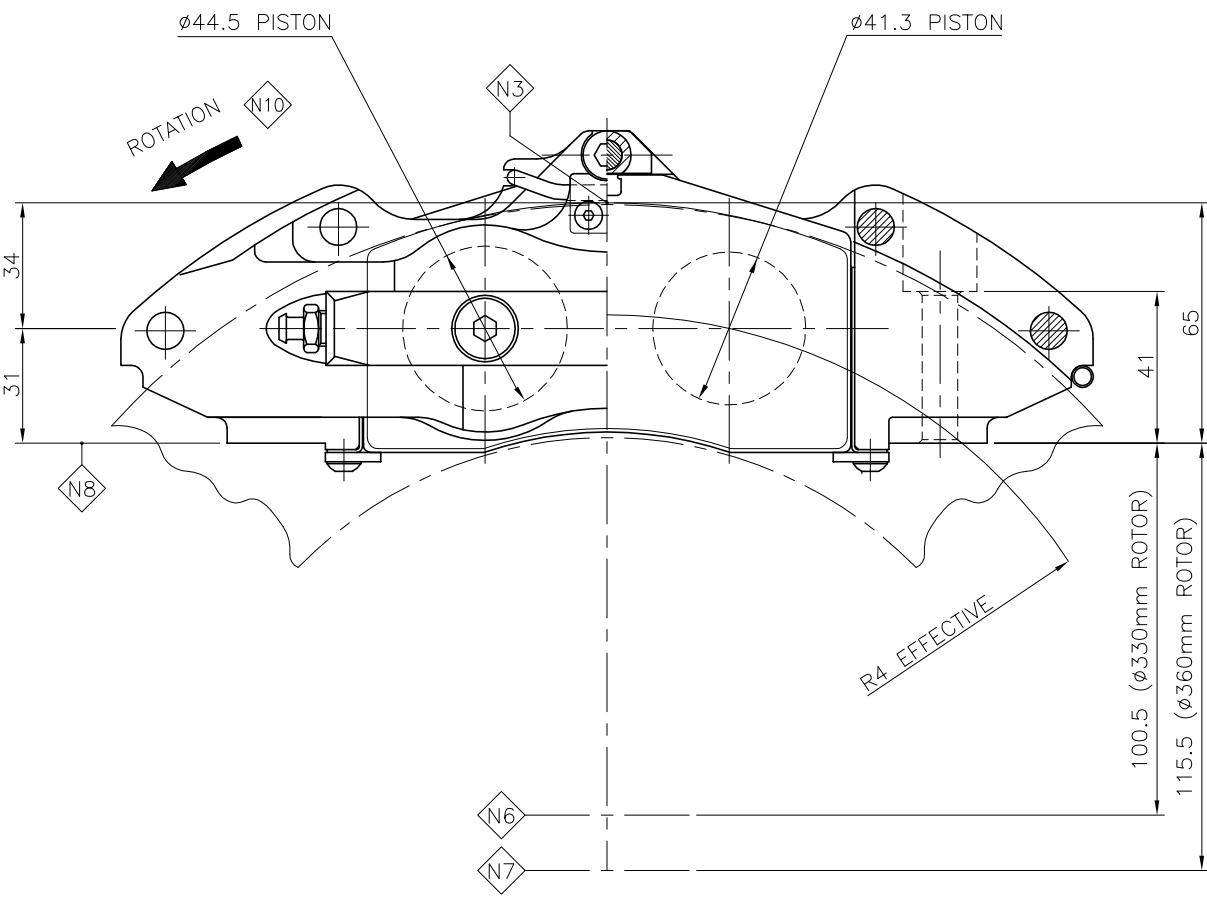
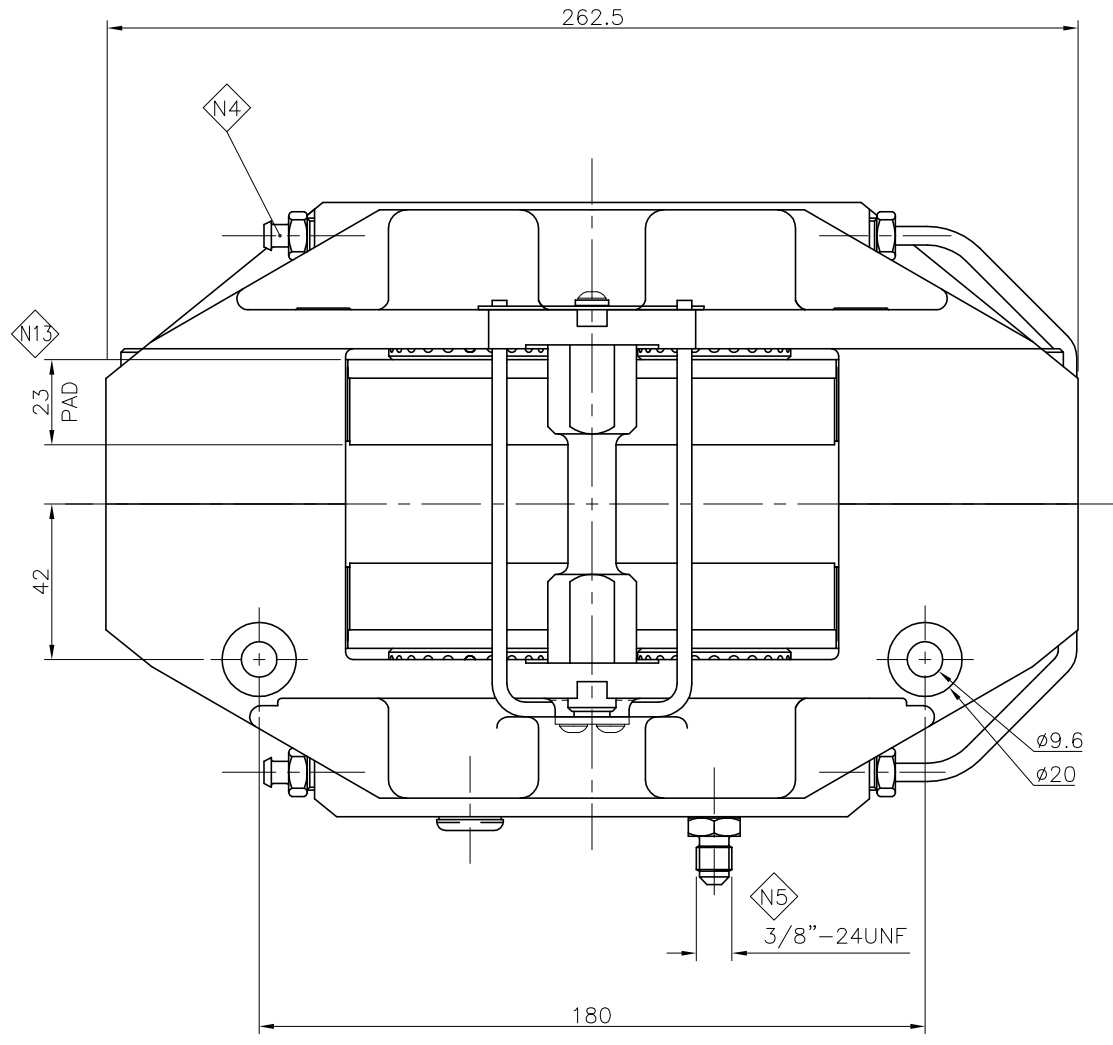


DO NOT SCALE IF IN DOUBT ASK



RADIAL PROFILE

ROTOR DIA	R1	R2	R3	R4
ø330	107.6	163.6	187	135.6
ø360	122	178	200	150



- NOTES.
- N1 CAR7649L14DSRT AS SHOWN
RIGHT HAND TRAILING CALIPER
 - N2 CAR7649L14DSL
LEFT HAND TRAILING CALIPER
SYMMETRICALLY OPPOSITE
 - N3 INSTALL CALIPER WITH PAD 0.5mm
ABOVE ROTOR
 - N4 TIGHTENING TORQUE FOR BLEED SCREWS:
- 14Nm HOT
- 18Nm COLD
 - N5 TIGHTENING TORQUE FOR
HOSE CONNECTOR: - 19Nm±1
 - N6 AXIS ø330mm ROTOR
 - N7 AXIS ø360mm ROTOR
 - N8 CALIPER MOUNTING FACE
 - N9 MANUFACTURING SPECIFICATION RC2013
 - N10 ROTOR ROTATION. ROTOR MUST PASS SMALL
PISTON DIAMETER FIRST.
 - N11 ROTOR/PAD SIZES
- | | MIN | NOM | MAX |
|-----------|--------|--------|--------|
| DISC DIA. | ø330mm | ø378mm | ø380mm |
| DISC THK | 28mm | 30mm | 32mm |
| PAD THK. | 24mm | 24mm | 23mm |
- MAX NEW STACK (DISC+PADS) = 78mm
- N12 PAD SURFACE AREA - 78.0cm²
 - N13 MINIMUM WORN PAD DIMENSION 7.7mm

ISS	LOC.	CHANGE	DRN DATE	CHK DATE	MSK DATE	APP DATE
C		NOTE N11 UPDATED TO SHOW DISC/PAD THICKNESS COMBINATIONS	27.10.09	27.10.09		
B		PAD THICKNESS CHANGED FROM 22mm TO 23mm, AND PISTON INSERT CHANGED FROM 2mm TO 4mm	27.05.09	27.05.09		
A		FIRST ISSUE	05.09.08	23.12.08		

3D MODEL: YES <input type="checkbox"/> NO <input checked="" type="checkbox"/>	SCALE	DRAWN BY	ALCON COMPONENTS LIMITED APOLLO TAMWORTH STAFFORDSHIRE B79 7TN TEL: +44(0)1827 723700
WEIGHT	g FULL SCALE	PJS	
REMOVE ALL SHARP EDGES, BURRS AND SWAMP	MATERIAL	CHECKED BY	NOTE: THIS DRAWING AND INFORMATION THERE UPON IS THE PROPERTY OF ALCON COMPONENTS LIMITED. IT IS LENT ON THE CONDITION THAT IT, IN WHOLE OR IN PART, SHALL NOT BE REPRODUCED, COPIED OR DISCLOSED TO ANY PERSON WITHOUT WRITTEN CONSENT OF ALCON AND SHALL BE RETURNED TO ALCON COMPONENTS LIMITED.
ALL DIMENSIONS ARE BEFORE TREATMENT UNLESS STATED	HEAT TREAT/CURE CYCLE	MATERIAL CHECKED BY	PART NAME (Max. 40 digits) CALIPER INSTALLATION GRAND AM GT (FRONT)
TOLERANCES UNLESS STATED ±0.2 ANGLES: ±0.5°	SURFACE TREATMENT	APPROVED BY	PART NUMBER DRAWING MANUF CODE SHEET 1 FROM 2
		DATE	CAR76i37

