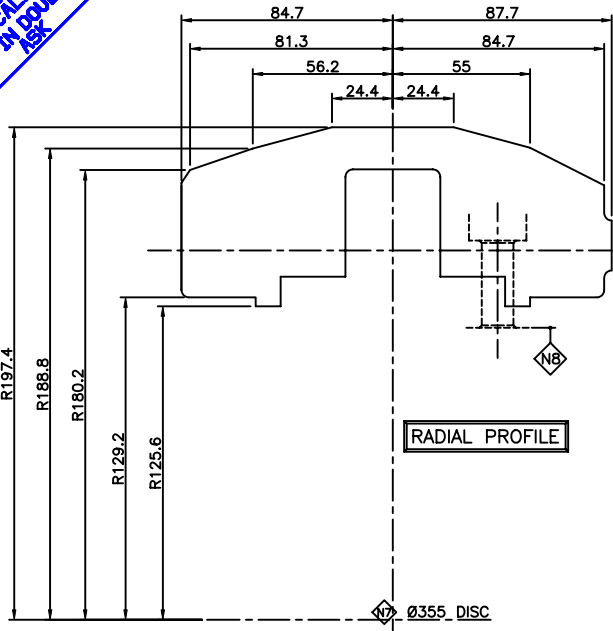
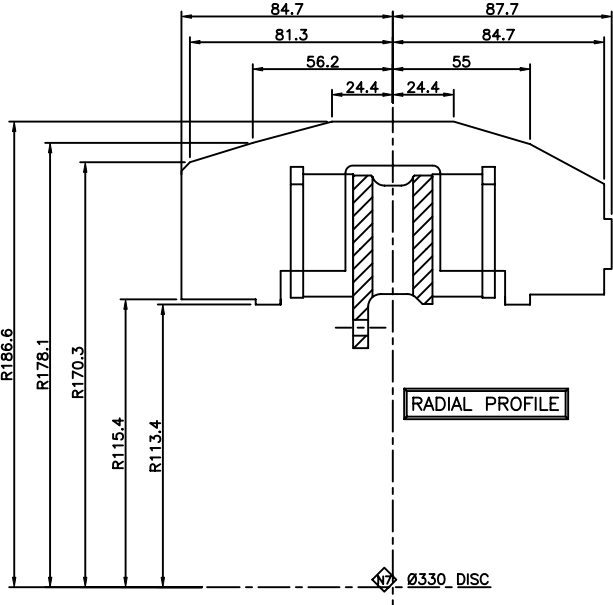


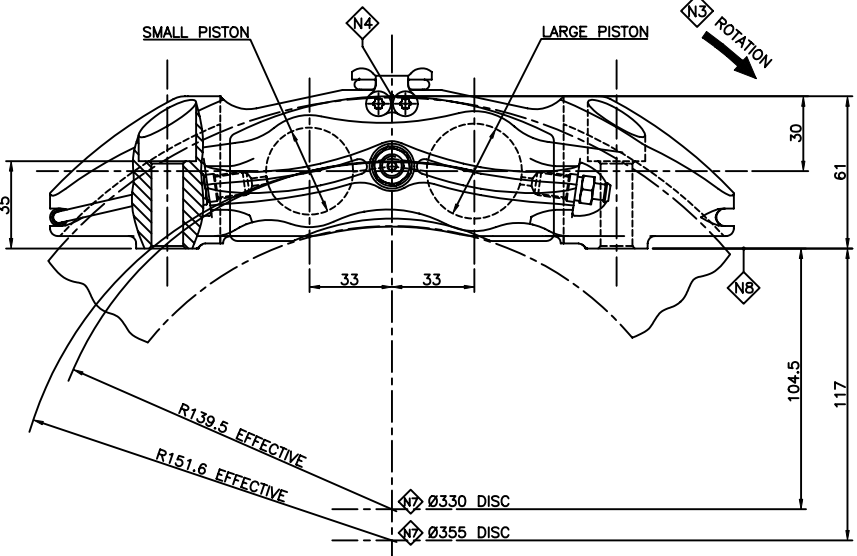
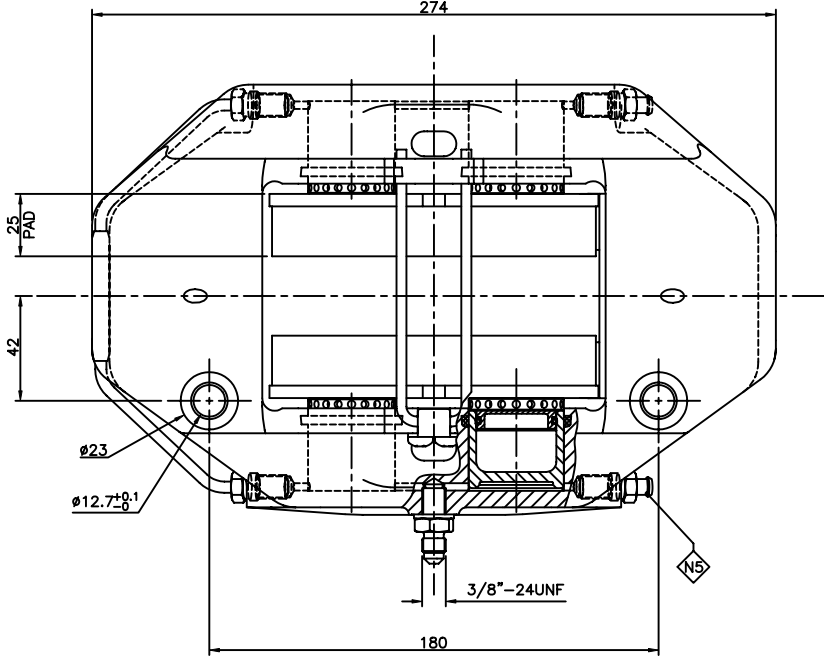
DO NOT SCALE IF IN DOUBT



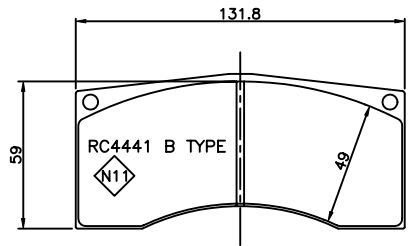
RADIAL PROFILE



RADIAL PROFILE



- N NOTES.
- N1 CAR8040E01DSLTL AS SHOWN  
LEFT HAND TRAILING CALIPER
  - N2 CAR8040E01DSRTL SYMMETRICALLY OPPOSITE  
RIGHT HAND TRAILING CALIPER
  - N3 DISC ROTATION. CALIPER MUST BE INSTALLED  
WITH BLEED SCREWS UPPERMOST.  
DISC MUST PASS SMALL PISTON DIAMETER FIRST
  - N4 INSTALL CALIPER WITH PAD 0.02" (0.5mm) ABOVE DISC
  - N5 TIGHTENING TORQUE FOR BLEED SCREWS:  
- 14Nm HOT  
- 18Nm COLD
  - N6 ALL DIMENSIONS ARE NOMINAL
  - N7 DISC AXIS
  - N8 CALIPER MOUNTING FACE
  - N9 MANUFACTURING SPECIFICATION RC2013
  - N10 MAX DISC -  $\phi 355 \times 32$
  - N11 PAD SURFACE AREA - 66.5cm<sup>2</sup> (PER PAD)



CAR8040E01DSRTL	RIGHT TRAILING	$\phi 34.9$	$\phi 38.1$	ALUMINIUM PISTONS & CLIP IN STEEL INSERTS
CAR8040E01DSLTL	LEFT TRAILING			
CALIPER PART No	HAND	SMALL PISTON	LARGE PISTON	REMARKS

ISSUE		DATE	BY	REASON								
A	FIRST ISSUE	08.07.05	08.07.05									
<table border="1"> <tr> <td>DESIGNED BY</td> <td>G.WOOLFORD</td> <td>DATE</td> <td>05.07.05</td> </tr> <tr> <td>CHECKED BY</td> <td>P.SMITH</td> <td>DATE</td> <td>05.07.05</td> </tr> </table>					DESIGNED BY	G.WOOLFORD	DATE	05.07.05	CHECKED BY	P.SMITH	DATE	05.07.05
DESIGNED BY	G.WOOLFORD	DATE	05.07.05									
CHECKED BY	P.SMITH	DATE	05.07.05									
<p>ALL DIMENSIONS ARE NOMINAL UNLESS OTHERWISE SPECIFIED</p> <p>ALL DIMENSIONS ARE IN MILLIMETERS UNLESS OTHERWISE SPECIFIED</p> <p>ALL DIMENSIONS ARE IN MILLIMETERS UNLESS OTHERWISE SPECIFIED</p> <p>ALL DIMENSIONS ARE IN MILLIMETERS UNLESS OTHERWISE SPECIFIED</p>												
<p>RC4441 B TYPE</p> <p>CALIPER INSTALLATION</p> <p>CAR80i07</p>												