

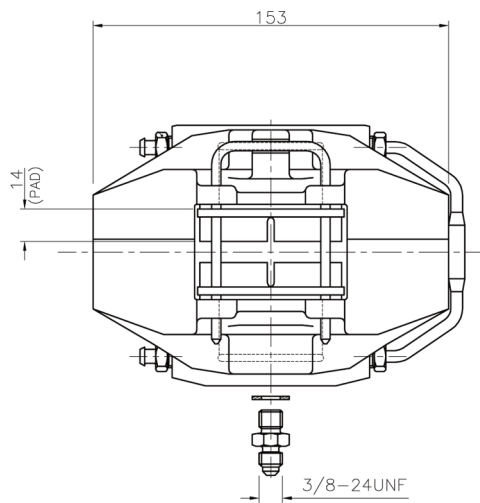
Formula Car Calipers

Alcon is one of the world's foremost manufacturers of brake systems for motor sport. For over 20 years, winning race teams have relied on Alcon to deliver the best brake technology for applications from IndyCar to NASCAR. Alcon has now applied its expertise and experience to developing a light weight formula car caliper.



Specifications

	CAL7940K*	CAL7940P*
Weight	2.6lbs (1.2kg)	2.6lbs (1.2kg)
Piston	1.625" (41.3mm)	1.75" (44.5mm)
Material	Aluminum	Aluminum



- CAL7940K10AZ** - 41.3MM piston, U-Clip
- CAL7940P10AZ** - 44.5MM piston, U-Clip
- CAL7940K11AZ** - 41.3MM piston, Spring clip
- CAL7940P11AZ** - 44.5MM piston, Spring clip

Features and Benefits

- Available in trailing and leading configurations.
- Direct bolt-on replacement for LD20 caliper.
- Only 2.6lbs total weight.
- Uses common D044 and HB144 pad shape.
- Comes with retaining clip for easy pad replacement.
- Available with optional double spring clip pad retainer
- SCCA legal.

Pad Cross Reference

Manufacturer	Part Number
Hawk	HB118
PFC	044

Applications

- Formula Continental
- Formula Ford
- Sports 2000

For More Information Please Contact Your Authorized Alcon Distributors



866-851-7223



317-293-4100



800-688-6946



603-397-0800

www.alconusa.com

alcon
specialist brakes & clutches