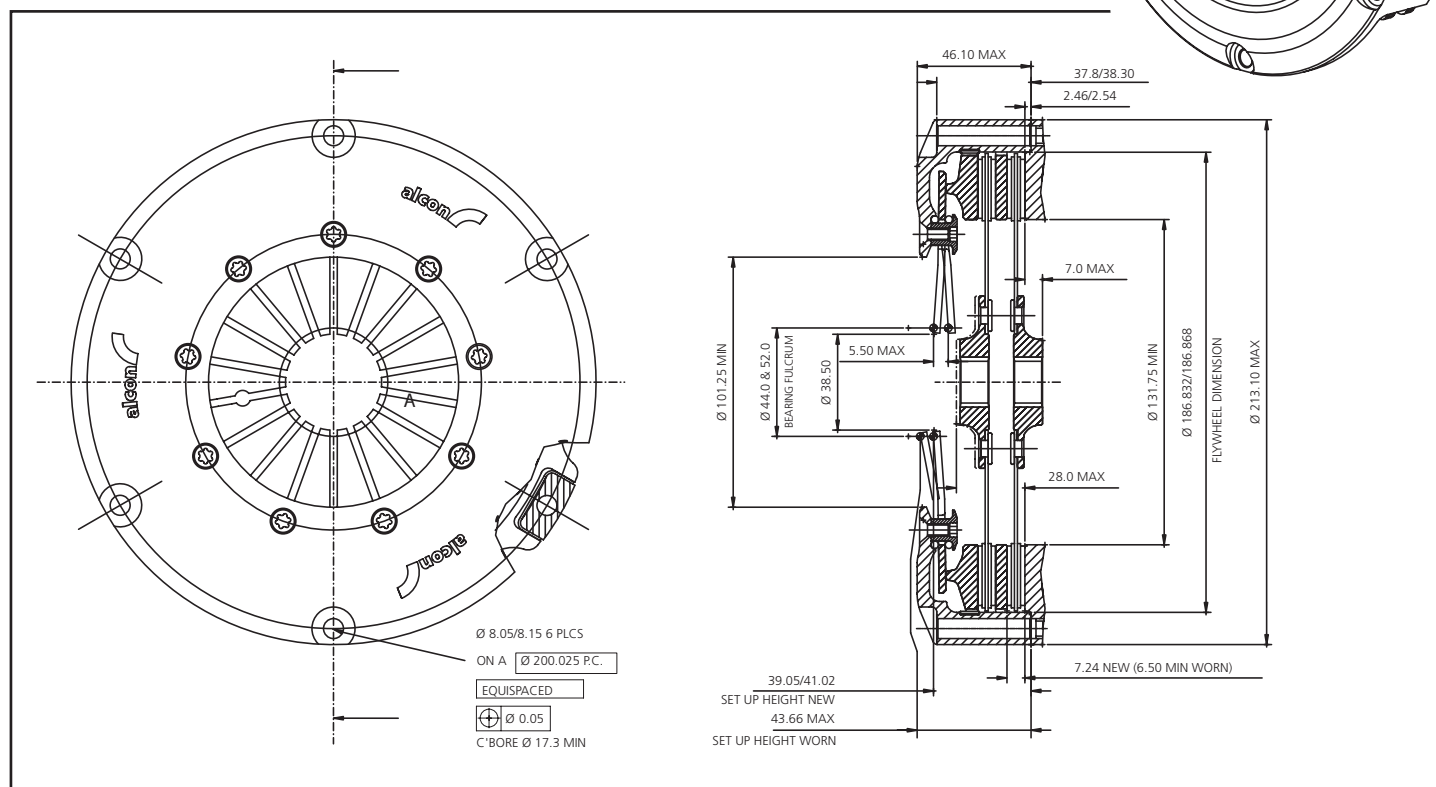
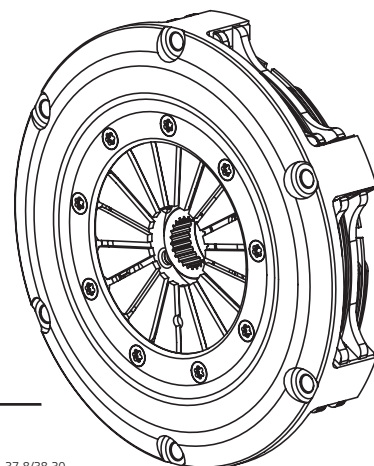


# twin plate rally clutch assembly 184mm / 7.25"

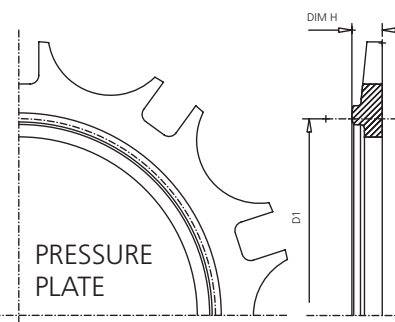
## KEY FEATURES AND BENEFITS

- **Compact design**  
Low weight and moment of inertia
- **High stiffness cover design**  
Improved startline control
- **Optimised fulcrum position**  
Reduced pressure plate distortion
- **Open lug type design**  
Improved cooling and dust removal
- **Interchangeability with other manufacturers' products**



PRODUCT REF	MAX TORQUE	SPRING RATE
KKR1842HTGSR01	817NM	Triple grey
KKR1842UTGSR01	990NM	Triple grey
KKR1842HDGSR01	786NM	Double grey
KKR1842UDGSR01	983NM	Double grey
KKR1842HSGSR01	707NM	Single grey
KKR1842USGSR01	872NM	Single grey
KKR1842HORSR01	522NM	Orange
KKR1842UORSR01	650NM	Orange

FLOATER PLATE			
PRODUCT REF			
KPS184L6F180			
PRESSURE PLATE			
PRODUCT REF	RATIO	DIM H	D1
KPS184L6H511	High	13	157
KPS184L6U511	Ultra high	13	152

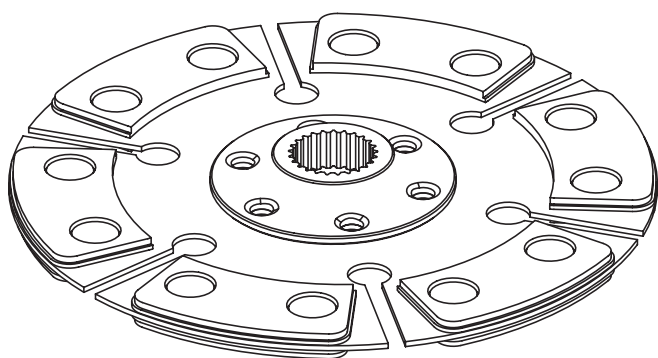


# rally drive plates

## 184mm / 7.25"

### KEY FEATURES AND BENEFITS

- **Optimised design**  
Low weight and moment of inertia
- **Optimised hub length**  
Low inertia with minimum input shaft wear
- **Cerametallic material**  
High energy capacity
- **Interchangeability with other manufacturers' plates**



SPLINE SIZE				PRODUCT REF	
NOMINAL	Ø	TEETH	NEW THICKNESS	4 PADS (11.7 HUB LENGTH)	6 PADS (15.7 HUB LENGTH)
3/4" x 17	19.1	17	7.2	-	KDC720615X010
0.8" x 24	20.5	24	7.2	-	KDC720632X010
21 x 18	21.1	18	7.2	KDC720417X010	KDC720617X010
22 x 26	22.0	26	7.2	KDC720435X010	KDC720635X010
7/8" x 20	22.2	20	7.2	KDC720425X010	KDC720625X010
24.25 x 21	24.3	21	7.2	KDC720427X010	KDC720627X010
1" x 22	25.4	22	7.2	KDC720429X010	KDC720629X010
1" x 23	25.4	23	7.2	KDC720430X010	KDC720630X010
1" x 24	25.4	24	7.2	-	KDC720633X010
25.8 x 24	25.8	24	7.2	-	KDC720686X010
1 1/8" x 10	28.6	10	7.2	KDC720406X010	-
29 x 10	29.0	10	7.2	-	KDC720610X010
29 x 26	29.0	26	7.2	KDC720485X010	KDC720685X010
1 5/32" x 26	29.5	26	7.2	-	KDC720636X010