

PROJECTION	Straightness	—	Circularity	○	Profile of any line	⌒	Position	⊕
	Cylindricity	∕	Parallelism	//	Profile of any surface	⌒	Run-out	↗
	Concentricity	◎	Angularity	∠	Perpendicularity	⊥	flatness	▭

TOLERANCES UNLESS STATED: ±0.2  
 ANGLES: ±0.5°

√Ra (√Ra)

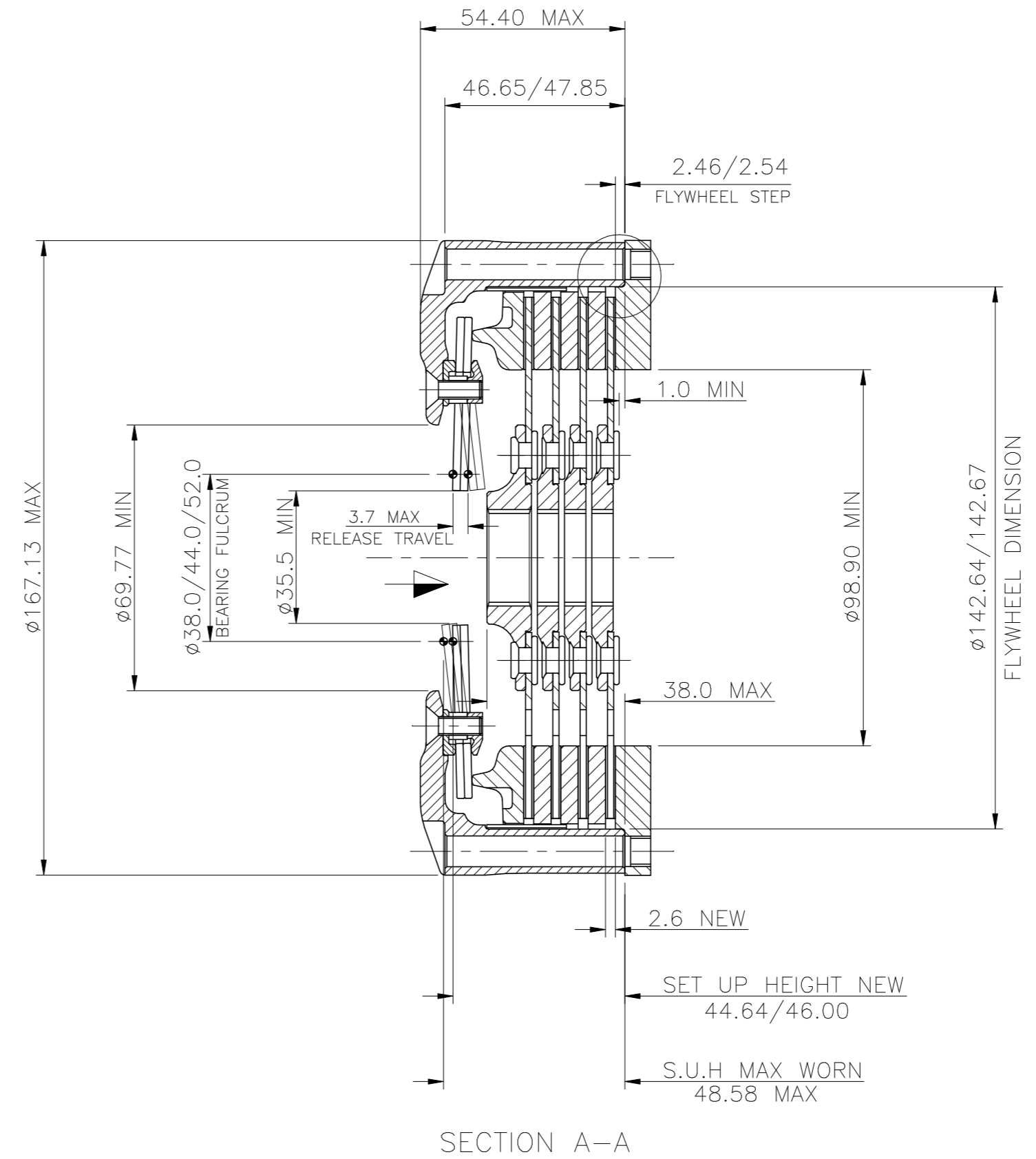
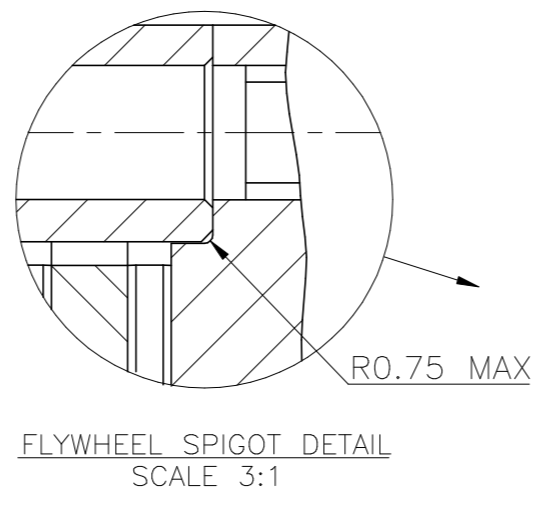
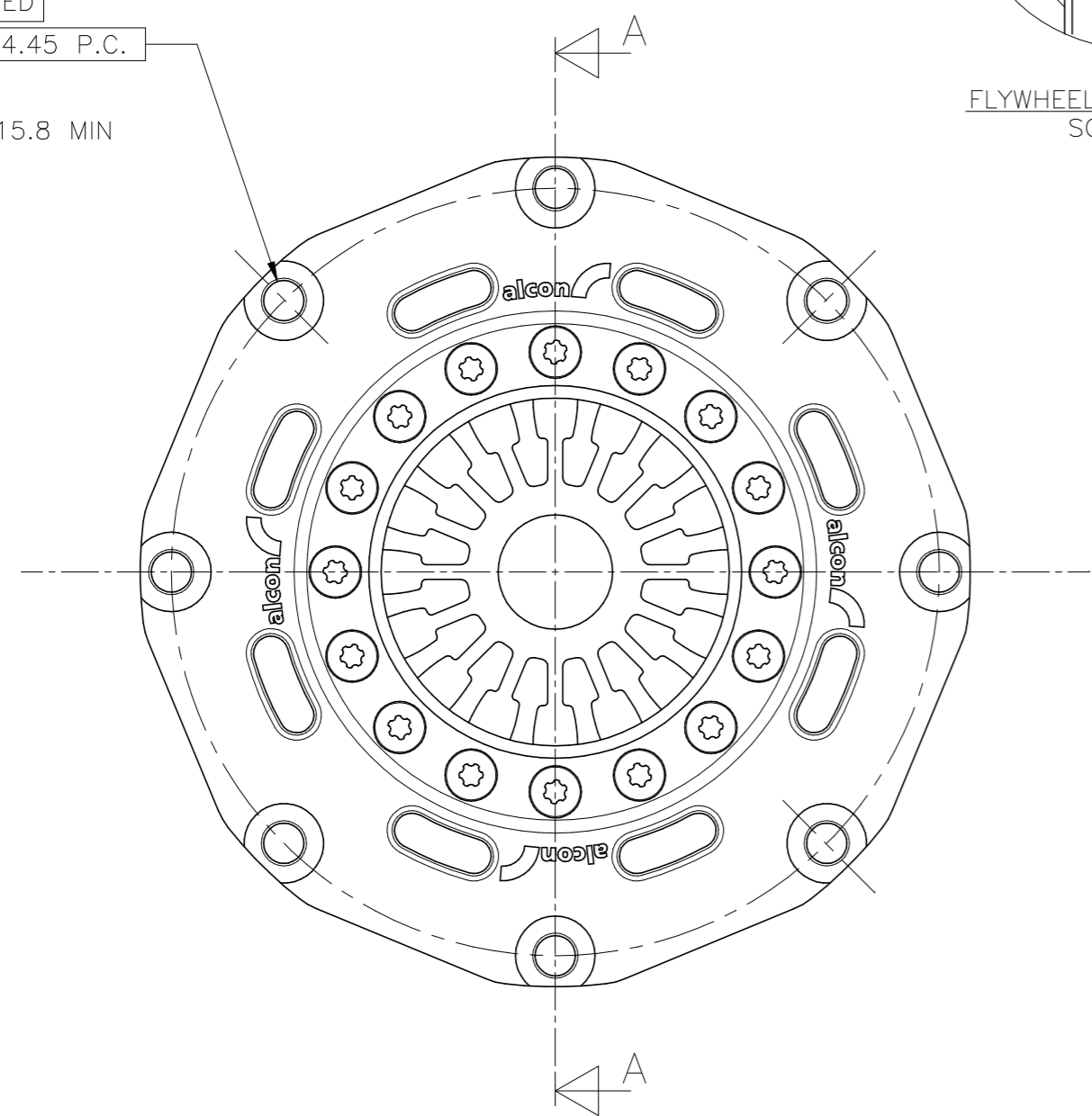
© Alcon Components Ltd Tamworth England  
 THIS DOCUMENT IS CONFIDENTIAL AND THE DOCUMENT AND THE COPYRIGHT THEREIN ARE THE PROPERTY OF ALCON LTD. THE DOCUMENT AND ANY INFORMATION THEREIN MAY NOT BE USED, COPIED OR DISCLOSED TO ANY THIRD PARTY WITHOUT THE PRIOR WRITTEN AUTHORISATION OF ALCON COMPONENTS LTD.

DRAWN IN ACCORDANCE WITH BS 308



MODIFICATIONS		
ISSUE	DATE	PARTICULARS
A	23.03.07	FIRST ISSUE

8 OFF  $\varnothing 8.05/8.15$   
 EQUISPACED  
 ON A  $\varnothing 154.45$  P.C.  
 $\varnothing 0.05$   
 C'BORE  $\varnothing 15.8$  MIN



CLUTCH ASSEMBLY PART NUMBER	SPRING IDENT.	RELEASE RATIO	RELEASE LOAD (@ TRAVEL)			COMPLETE ASSY WEIGHT (INC DRIVE PLATES)	RECOMMENDED MAX TORQUE CAPACITY	COMPLETE ASSY INERTIA (INC DRIVE PLATES)
			38mm REL.BEARING	44mm REL.BEARING	52mm REL.BEARING			
KKS1404HDGSR03	DOUBLE GREY	HIGH	2.9kN	3.2kN	3.5kN	3.50kg	1117 Nm (822 lbft)	0.01201 Kg <sup>m2</sup>

TIGHTENING TORQUE OF CLUTCH MOUNTING BOLTS = 22Nm  
 MAXIMUM WEAR OF DRIVEN PLATE = 0.18mm (TOTAL WEAR 0.75mm)

DO NOT SCALE IF IN A DOUBT ASK  
 REMOVE ALL SHARP EDGES AND BURRS

MATERIAL

TREATMENT

FINISH

DRAWN ADS SCALE FULL SCALE  
 APPROVED DATE 23.03.07

TITLE LIGHTWEIGHT VERSION  
 $\varnothing 140.0$  (5.5") SINTERED 4-PLT  
 INSTALLATION DRG (ACCC HUBS)

DRG No.  
 KKS1404HDGSR03