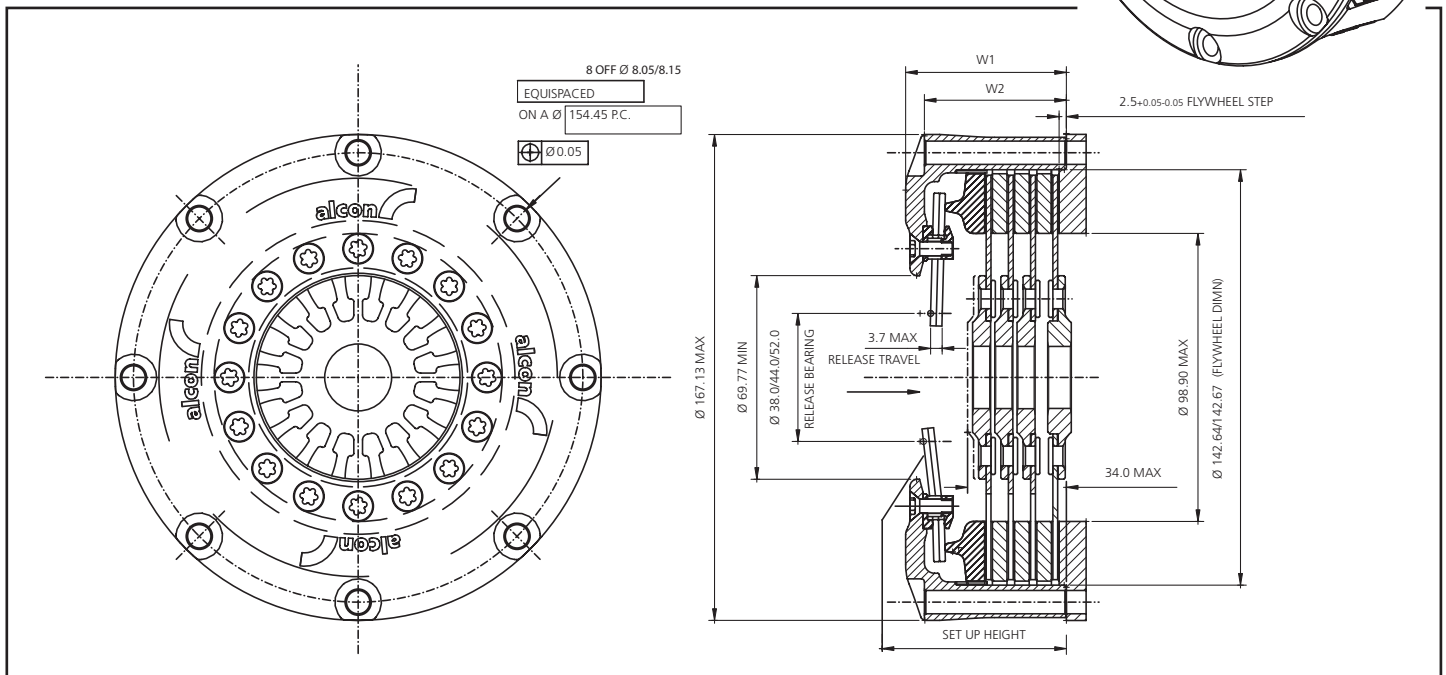
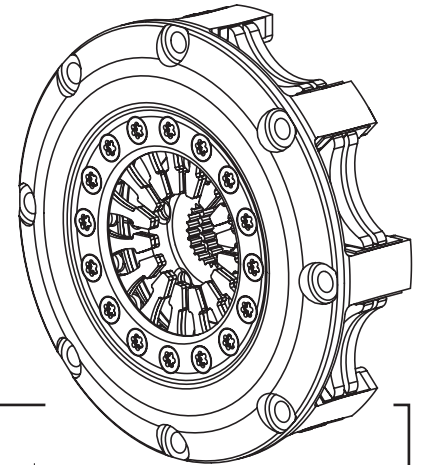


multi-plate race clutch assembly 140mm / 5.50"

KEY FEATURES AND BENEFITS

- **Compact design**
Low weight and moment of inertia
- **High stiffness cover design**
Improved startline control
- **Optimised fulcrum position**
Reduced pressure plate distortion
- **Interchangeability with other manufacturers' clutches**
- **Open lug type design**
Improved cooling & dust removal
- **Interchangeability with other manufacturers' plates**



FLOATER PLATE
PRODUCT REF
KPS140L08FX02

PRESSURE PLATE (PLEASE REFER TO DRAWING ON OPPOSITE PAGE)			
PRODUCT REF	RATIO	DIM H	D1
KPS140L08H537	High	13.7	117
KPS140L08U537	Ultra high	13.7	114

PRODUCT REF	Ø	PLATES	MAX	SPRING	W1	W2	SET UP HEIGHT	
			TORQUE				RATE	NEW MIN
KKS1402HORSR01	140	2	480	Orange	39.8	32.4	30.4	34
KKS1402HDGSR01	140	2	582	Double grey	39.8	32.4	30.4	34
KKS1403HORSR01	140	3	721	Orange	46.5	40.1	37.5	41.3
KKS1403HDGSR01	140	3	872	Double grey	46.5	40.1	37.5	41.3
KKS1404HDGSR01	140	4	1117	Double grey	54.4	46.6	44.6	48.6

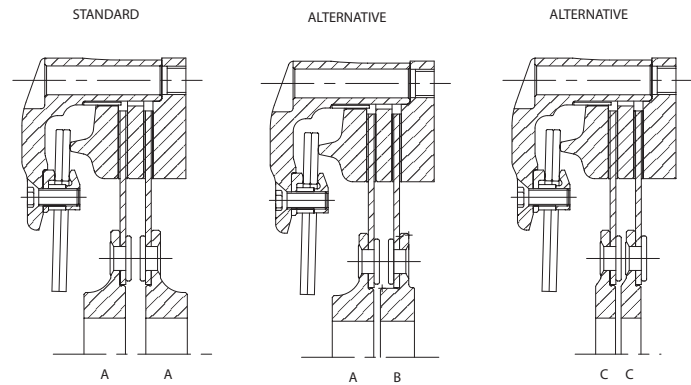
race drive plates

140mm / 5.50"

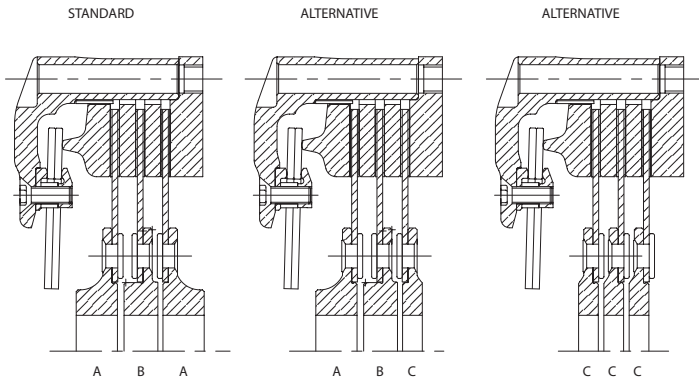
KEY FEATURES AND BENEFITS

- **Optimised hub length**
Low inertia with minimum input shaft wear
- **Sintered material**
High energy capacity
- **High strength spring steel core plate**
- **Interchangeability with other manufacturers' plates**

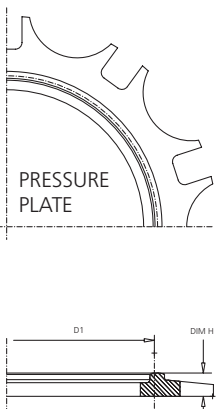
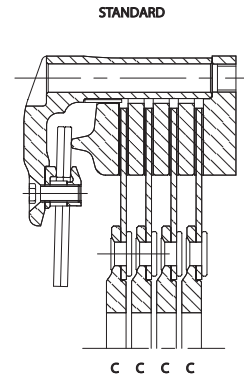
KKS1402 TWIN PLATE INSTALLATION OPTIONS



KKS1403 TRIPLE PLATE INSTALLATION OPTIONS



KKS1404 FOUR PLATE INSTALLATION



SPLINE SIZE				PRODUCT REF		
NOMINAL	Ø	TEETH	NEW THICKNESS	A-TYPE	B-TYPE	C-TYPE
				(11.7 HUB LENGTH)	(9.6 HUB LENGTH)	(5.6 HUB LENGTH)
21 x 18	21.1	18	2.64	KDS550FA17X001	KDS550FB17X001	KDS550FC17X001
22 x 28	22.0	26	2.64	KDS550FA35X001	KDS550FB35X001	-
7/8" x 20	22.2	20	2.64	KDS550FA25X001	KDS550FB25X001	KDS550FC25X001
24.25 x 21	24.3	21	2.64	KDC550FA27X001	KDS550FB27X001	KDS550FC27X001
1" x 23	25.4	23	2.64	KDS550FA30X001	KDS550FB30X001	KDS550FC30X001
1" x 24	25.4	24	2.64	KDS550FA33X001	KDS550FB33X001	-
1 1/16" x 10	27.0	10	2.64	KDS550FA05X001	KDS550FB05X001	-
1 5/32" x 26	29.5	26	2.64	KDS550FA36X001	KDS550FB36X001	KDS550FC36X001
1 1/4" x 10	31.8	10	2.64	KDS550FA07X001	KDS550FB07X001	-