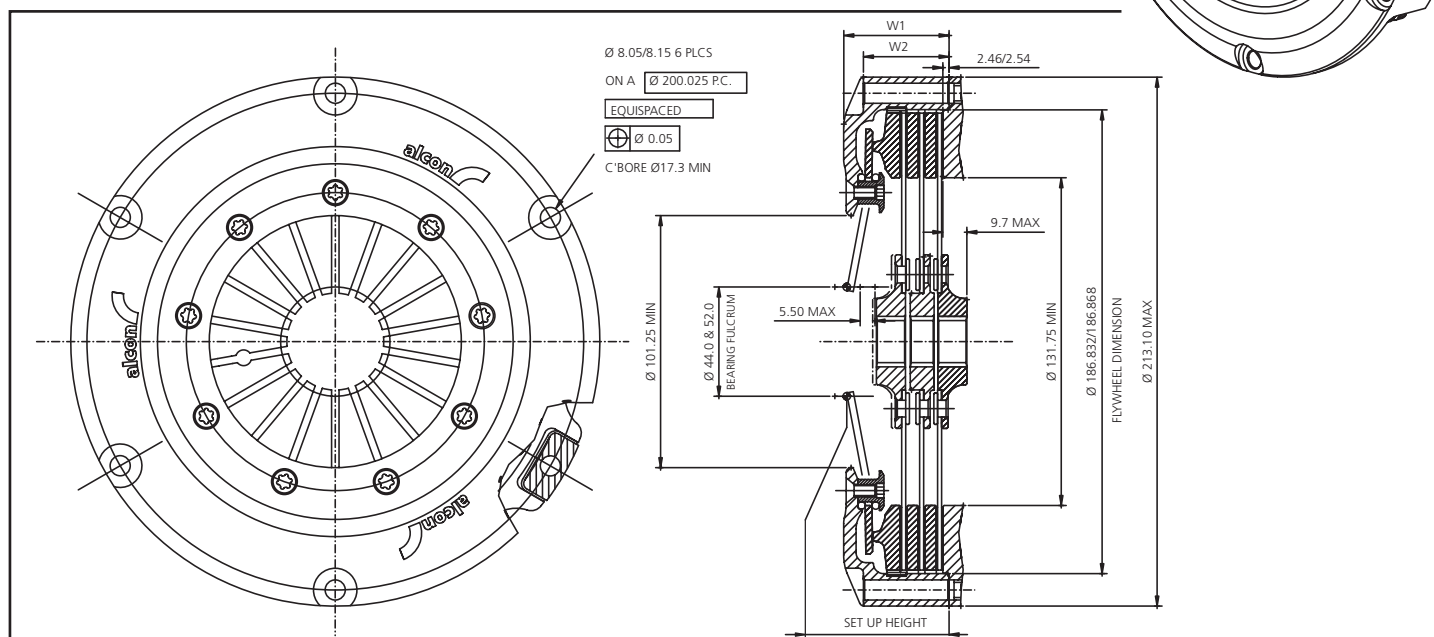
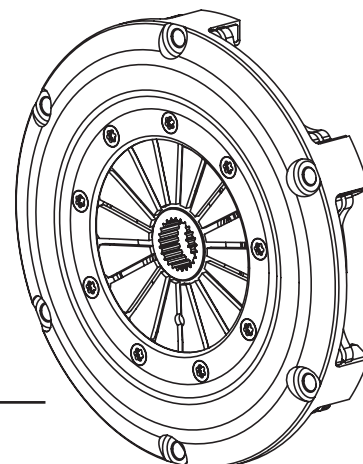


multi-plate race clutch assembly 184mm / 7.25"

KEY FEATURES AND BENEFITS

- **Compact design**
Low weight and moment of inertia
- **High stiffness cover design**
Improved startline control
- **Optimised fulcrum position**
Reduced pressure plate distortion
- **Interchangeability with other manufacturers' clutches**
- **Open lug type design**
Improved cooling & dust removal
- **Interchangeability with other manufacturers' plates**



FLOATER PLATE
PRODUCT REF
KPS184L6F180

PRESSURE PLATE (PLEASE REFER TO DRAWING ON OPPOSITE PAGE)			
PRODUCT REF	RATIO	DIM H	D1
KPS184L6H444	High	11.3	157
KPS184L6U444	Ultra high	11.3	152

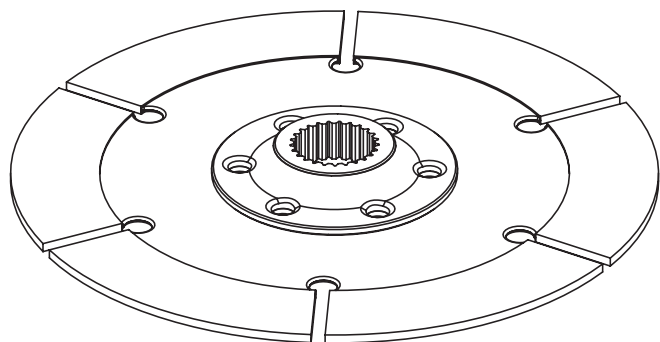
PRODUCT REF	Ø	PLATES	MAX	SPRING	W1	W2	SET UP HEIGHT	
			TORQUE				RATE	NEW MIN
KKS1841HSGSR01	184	1	305	Grey	27.9	19.7	21	26.2
KKS1842HORSR01	184	2	522	Orange	35.2	27	32.6	38.2
KKS1842HSGSR01	184	2	610	Grey	35.2	27	32.6	38.2
KKS1842HDGSR01	184	2	678	Double grey	35.2	27	32.6	38.2
KKS1843HDGSR01	184	3	1002	Double grey	42.4	34.3	35.5	39.5
KKS1843UDGSR01	184	3	1320	Double grey	42.4	34.3	35.5	39.5

race drive plates

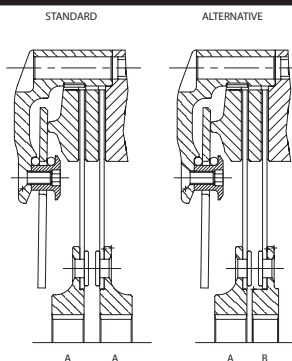
184mm / 7.25"

KEY FEATURES AND BENEFITS

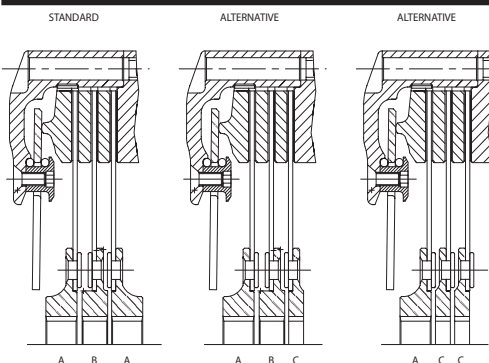
- **Optimised hub length**
Low inertia with minimum input shaft wear
- **Sintered material**
High energy capacity
- **High strength spring steel core plate**
- **Interchangeability with other manufacturers' plates**



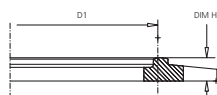
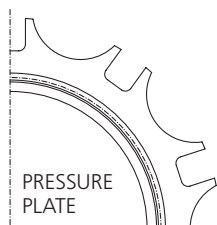
KKS1842 TWIN PLATE INSTALLATION



KKS1843 TRIPLE PLATE INSTALLATION OPTIONS



SPLINE SIZE				PRODUCT REF		
NOMINAL	Ø	TEETH	NEW THICKNESS	A-TYPE	B-TYPE	C-TYPE
				(11.7 HUB LENGTH)	(9.6 HUB LENGTH)	(5.6 HUB LENGTH)
19 x 17	19.0	17	2.64	KDS720FA15X001	KDS720FB15X001	-
21 x 18	21.1	18	2.64	KDS720FA17X001	KDS720FB17X001	-
22 x 26	22.0	26	2.64	KDS720FA35X001*	KDS720FB35X001	-
7/8" x 20	22.2	20	2.64	KDS720FA25X002	KDS720FB25X002	KDS720FC25X001
15/16" x 21	23.8	21	2.64	KDS720FA91X001	KDS720FB91X001	-
24.25 x 21	24.3	21	2.64	KDS720FA27X001	KDS720FB27X001	-
24.25 x 23	24.3	23	2.64	KDS720FA58X001	KDS720FB58X001	KDS720FC58X001
25 x 14	25.0	14	2.64	KDS720FA12X001	KDS720FB12X001	-
1" x 22	25.4	22	2.64	KDS720FA29X001*	KDS720FB29X001	-
1" x 23	25.4	23	2.64	KDS720FA30X001*	KDS720FB30X001	KDS720FC30X001
1" x 24	25.4	24	2.64	KDS720FA33X001	KDS720FB33X001	-
25.8 x 24	25.8	24	2.64	KDS720FA86X001	-	-
1.10" x 10	27.9	10	2.64	KDS720FA04X001	KDS720FB04X001	-
1 1/8" x 10	28.6	10	2.64	KDS720FA06X001*	KDS720FB06X001	-
29 x 10	29.0	10	2.64	KDS720FA10X001*	KDS720FB10X001	-
29 x 21	29.0	21	2.64	KDS720FA28X001	KDS720FB28X001	-
1 5/32" x 26	29.5	26	2.64	KDS720FA36X001	KDS720FB36X001	-
1 1/4" x 10	31.75	10	2.64	KDS720FA07X001	KDS720FB07X001	-
1 1/4" x 29	31.75	29	2.64	KDS720FA38X001	KDS720FB38X001	KDS720FC38X001



* Made using 12 rivet hub