

**NOTES**

- N1: EACH MASTER CYLINDER IS ASSEMBLED TO PROVIDE SHORT LOST TRAVEL. SHIM WASHER THICKNESS IS DEFINED DURING THE ASSEMBLY PROCESS
- N2: A PEDAL STOP MUST BE FITTED TO LIMIT PUSH ROD STROKE TO THE MAX STATED (SEE CHART) TO AVOID PERMANENT DAMAGE TO INTERNAL COMPONENTS
- N3: PUSH ROD ANGULARITY MUST NOT EXCEED 5° THROUGHOUT FULL TRAVEL
- N4: WEIGHT (LESS PUSH ROD): 1.86lb
- N5: ALUMINIUM RESERVOIR TIGHTENING TORQUE: 5/16" (8mm) HEX:- 40lbf (54Nm)
- N6: FLUID OUTLET CONNECTION TORQUE: 12.5-15lbf (17-20Nm) WITH COPPER SEALING WASHER
- N7: TEST PRESSURE 2000psi (138 Bar)
- N8: PUSH ROD SHOWN IS FOR REFERENCE PURPOSES ONLY, MASTER CYLINDER SUPPLIED WITHOUT PUSH ROD
- N9: PART NUMBERS:

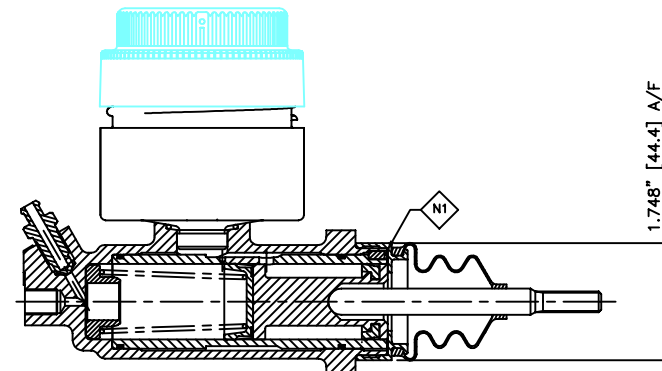
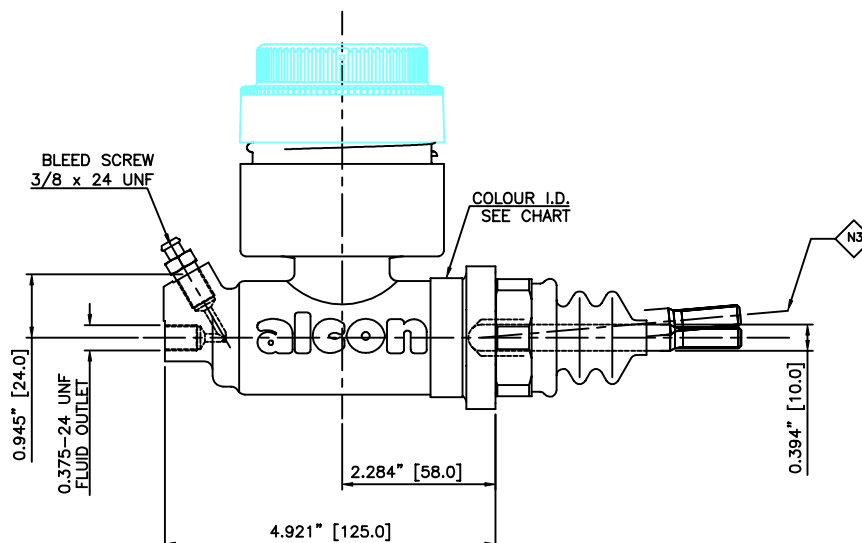
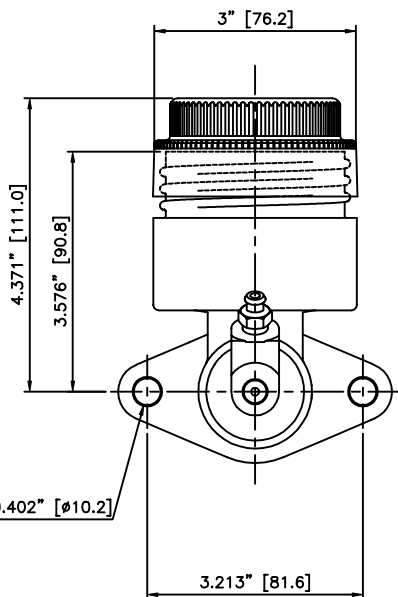
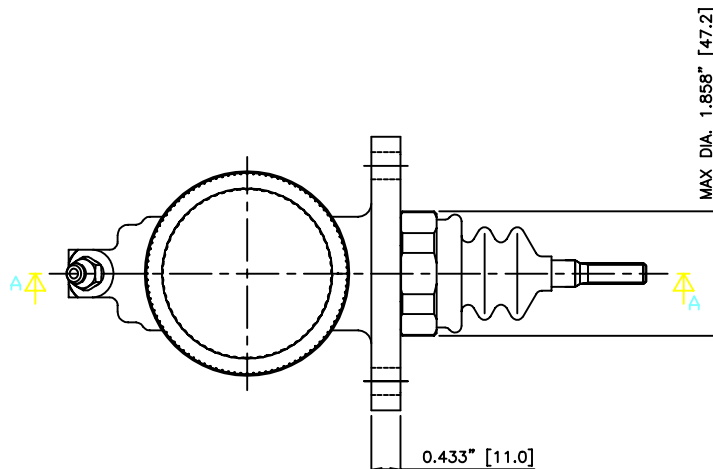
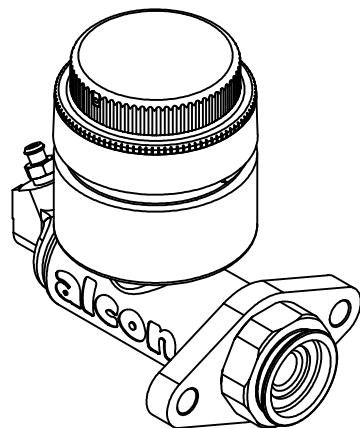
BORE Ø	PART NUMBER	SERVICE KIT	MAX STROKE	COLOUR I.D.
1.125"	MAR1280A000D	MAR1280ASK	32.5mm	BLACK
1.0625"	MAR1270A000D	MAR1270ASK	32.5mm	RED
1.00"	MAR1260A000D	MAR1260ASK	32.5mm	YELLOW

N10: BORE Ø CONVERSION KITS: (INCLUDES SEALS, PISTON, SPRING & LINER)

BORE Ø	CONVERSION KIT
1.125"	MAR1280BCK
1.0625"	MAR1270BCK
1.00"	MAR1260BCK

ALL BORE Ø CONVERSION KITS MUST BE FITTED BY ALCON COMPONENTS LTD. TO ENSURE SAFE OPERATION & MIN LOST TRAVEL (SEE NOTE N1)

REVISION		
ISSUE	DATE	PARTICULARS
A	03.01.01	FIRST ISSUE
B	11.04.01	DIM 1.858" [47.2] ADDED
C	24.04.01	COLOUR I.D. ADDED
D	01.06.01	TORQUE FOR ALUMINIUM RESERVOIR ADDED HYDRAULIC CHECK VALVE DELETED



© (1301) Components Ltd Tamworth England  
THIS DOCUMENT IS CONFIDENTIAL AND THE DOCUMENT AND THE COPYRIGHT THEREIN ARE THE PROPERTY OF ALCON LTD. THE DOCUMENT AND ANY INFORMATION THEREIN MAY NOT BE USED, COPIED OR DISCLOSED TO ANY THIRD PARTY WITHOUT THE PRIOR WRITTEN AUTHORIZATION OF ALCON COMPONENTS LTD.

DRAWN	SH	DATE	20.12.00
APPROVED	PJS	SCALE	

**TITLE** MASTER CYLINDER  
INSTALLATION DRAWING

DRG No. **MAR1280**