

DO NOT SCALE IF IN DOUBT ASK

BEFORE SURFACE TREATMENT

* Mark part with

PART NUMBER & NEW REVISION LEVEL

JOB ORDER NUMBER & MATERIAL BATCH CODE

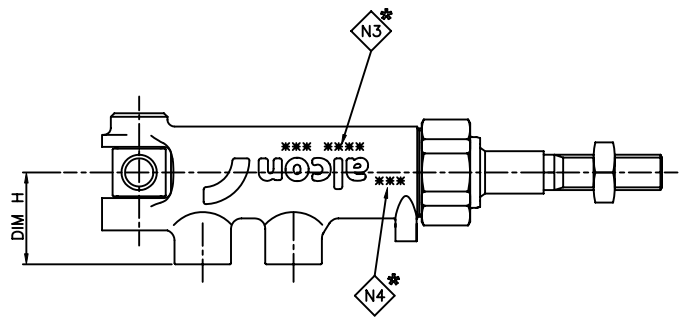
Text height 3.2mm Marking 0.10mm Ink Rubric

Marking method Laser Machining Stamp

Fast Marker Pen Engrave

Metal Tag Sticker Label

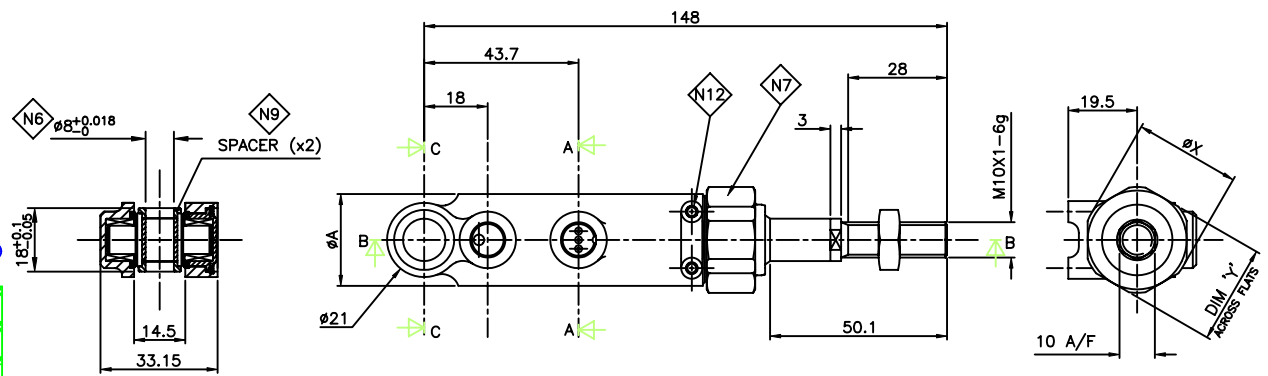
Electro-chemical Printed on Plastic Tag



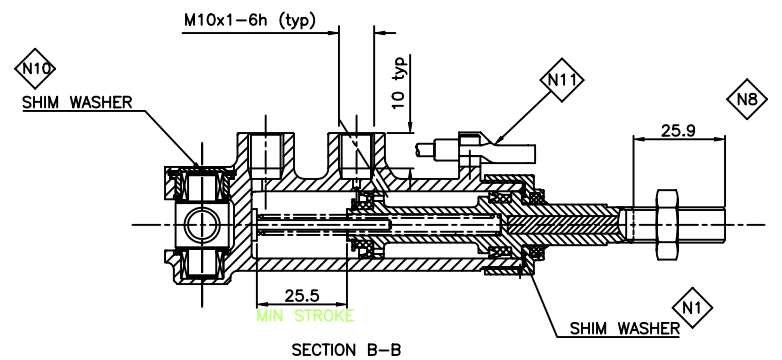
NOTES

- N1: EACH MASTER CYLINDER IS SELECTIVELY ASSEMBLED TO PROVIDE SHORT LOST TRAVEL. SHIM WASHER THICKNESS IS DEFINED DURING THE ASSEMBLY PROCESS
- N2: ASSEMBLY AND TEST SPECIFICATION RC2016
- N3: LASER ETCH OR ENGRAVE IN 3.5mm LETTERS: PART NUMBER AND WEEK/YEAR CODE
eg WEEK 8 2004 = 0804
- N4: LASER ETCH NOMINAL SIZE DESIGNATION
- N5: FLUID INLET & OUTLET CONNECTION TORQUE : 17-20Nm
- N6: SHAFT DIAMETER 7.972/7.987
- N7: ALUMINIUM PISTON RETAINER NUT TORQUE 16-19Nm
- N8: MAXIMUM STROKE
- N9: SPACER SUPPLIED WITH ALCON LOW-FRICTION BALANCE BAR MPA3200X111
- N10: SHIM TO MINIMISE END PLAY
- N11: PUSH ROD TRAVEL SENSOR SHM4893C, SUPPLIED SEPARATELY
- N12: SENSOR RETAINER SCREWS M3x8, TORQUE 110cNm WITH LOCTITE 222
- N13: PART NUMBERS

BORE	PART NUMBER	ØA	DIM H	ØX	DIM Y	LOST TRAVEL	SERVICE KIT
15.90(0.625")	MAR6200HM148MAS	26	26	30	28	0.7/1.0	MAR5200SKA
17.80(0.700")	MAR6210HM148MAS	26	26	30	28	0.7/1.0	MAR5210SK
19.05(0.750")	MAR6220HM148MAS	26	26	30	28	0.7/1.0	MAR5220SK
20.62(0.812")	MAR6230HM148MAS	26	26	30	28	0.7/1.0	MAR5230SK
22.22(0.875")	MAR6240HM148MAS	31.6	28.5	34	32	0.7/1.0	MAR5240SK
23.80(0.937")	MAR6250HM148MAS	31.6	28.5	34	32	0.7/1.0	MAR5250SK
25.40(1.000")	MAR6260HM148MAS	31.6	28.5	34	32	0.7/1.0	MAR5260SK



SECTION C-C



SECTION B-B

A		FIRST ISSUE		05.10.06	05.10.06
ISS	LOC.	CHANGE		DRN DATE	CSR DATE
3D MODEL YES <input type="checkbox"/> NO <input type="checkbox"/>	SCALE	DRAWN BY	ALCON COMPONENTS LIMITED	alcon	
ØA	1:1	PJS	APOLLO		
WEIGHT	g	DATE	TAMWORTH		
REMOVE ALL SHARP EDGES, FINES AND BURRS	MATERIAL	CHECKED BY	STAFFORDSHIRE B79 7TN		
ALL DIMENSIONS ARE BEFORE TREATMENT UNLESS STATED	HEAT TREAT/CURE CYCLE	DATE	TEL: +44(0)1827 723700		
TOLENCES UNLESS STATED ±0.3, ANGLES 80.0°	SURFACE TREATMENT	DATE	NOTE: THIS DRAWING AND INFORMATION THEREUPON IS THE PROPERTY OF ALCON COMPONENTS LIMITED. IT IS LENT ON THE CONDITION THAT IT, IN WHOLE OR IN PART, SHALL NOT BE REPRODUCED, COPIED, OR DISCLOSED TO ANY PERSON WITHOUT WRITTEN CONSENT OF ALCON AND SHALL BE RETURNED TO ALCON COMPONENTS LIMITED.		
		APPROVED BY	PART NAME (Max. 40 digits)		
		DATE	MASTER CYLINDER, SINGLE OUTLET EQUIPPED FOR LHE SENSOR		
			PART NUMBER	DRAWING MARKUP CODE	SHEET FROM
			MAR6200HM158MAS	1	1