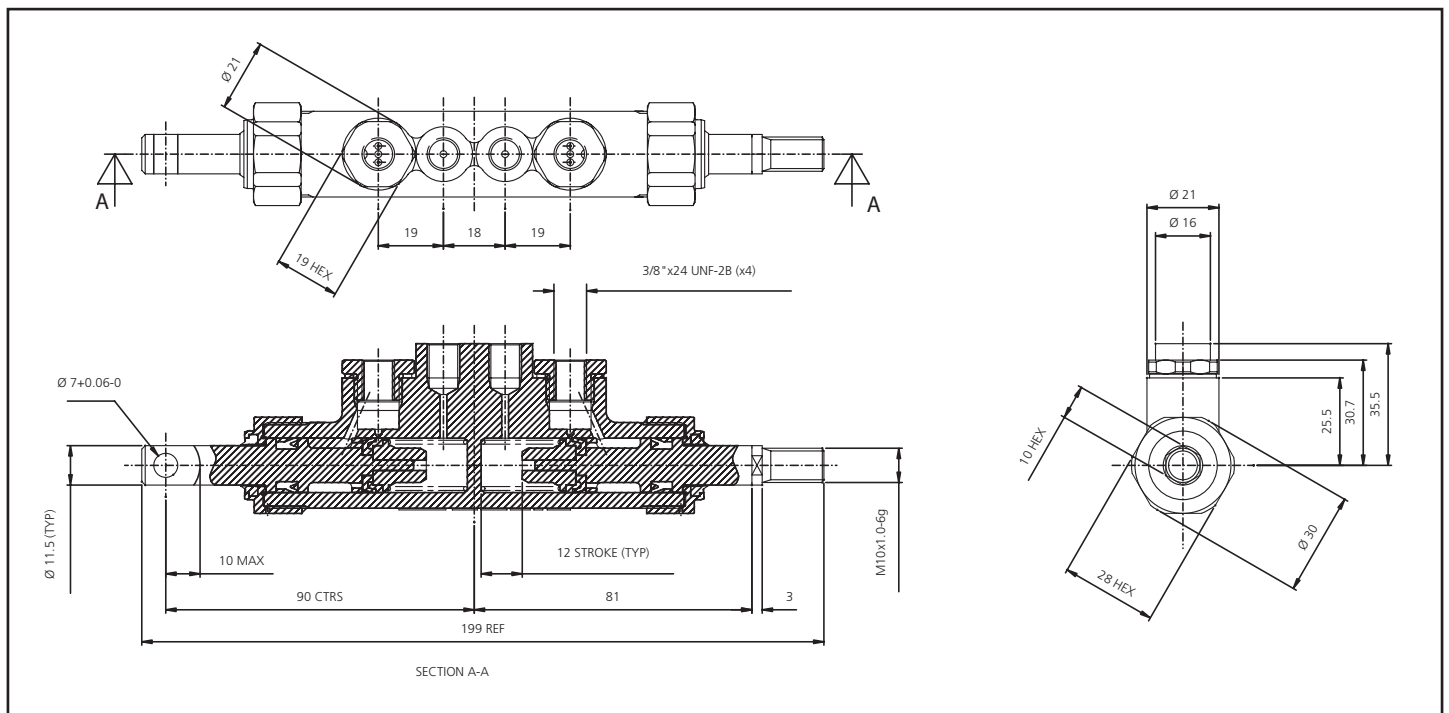
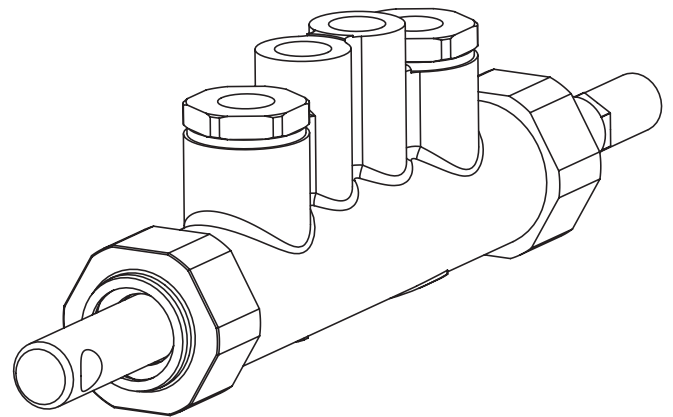


tandem master cylinder

KEY FEATURES AND BENEFITS

- **Suitable for handbrake application under GroupN regulations**
Facilitates twin circuit configuration (split diagonal)
- **Forged aluminium body**
Low weight
- **Simultaneous circuit actuation**
Pressure equally generated in both lines
- **Single axis**
Reduced lever effort



PRODUCT REF	MAR7200KC180B	MAR7210KC180B
SPECIFICATION		
diameter	5/8" 0.625"	0.70"
weight	0.35kg	0.35kg
seal kit reference		
	MAR7200SK	MAR7210SK