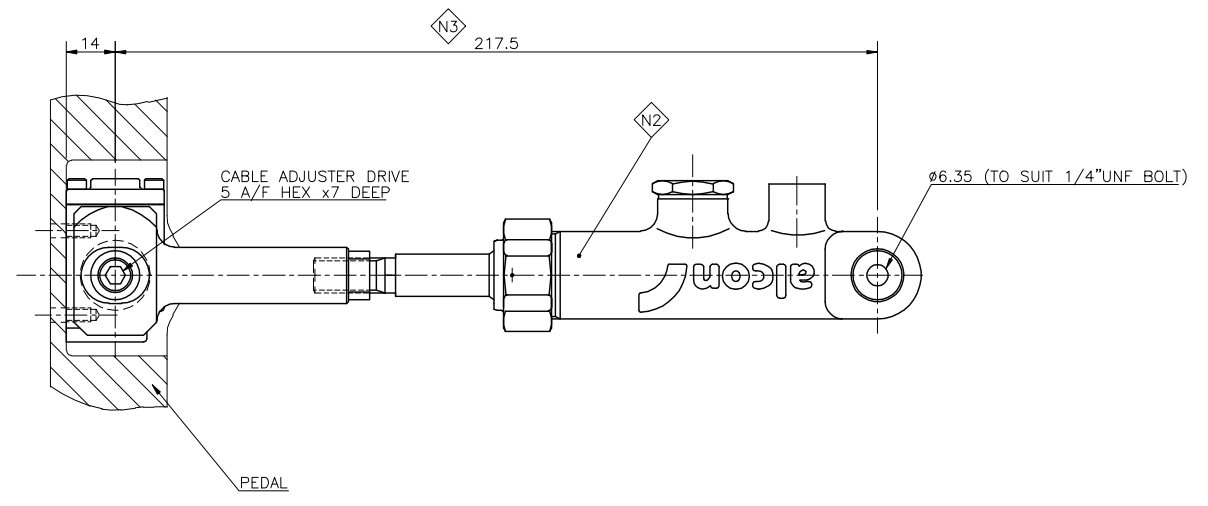
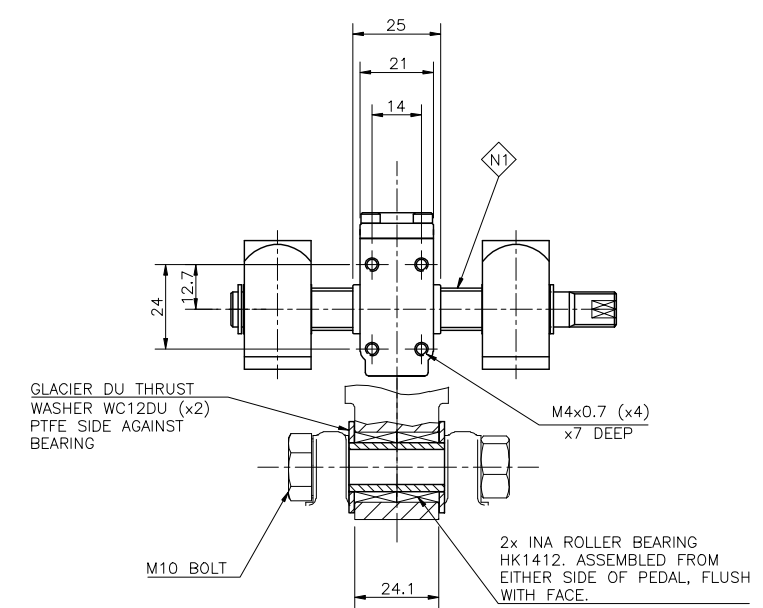
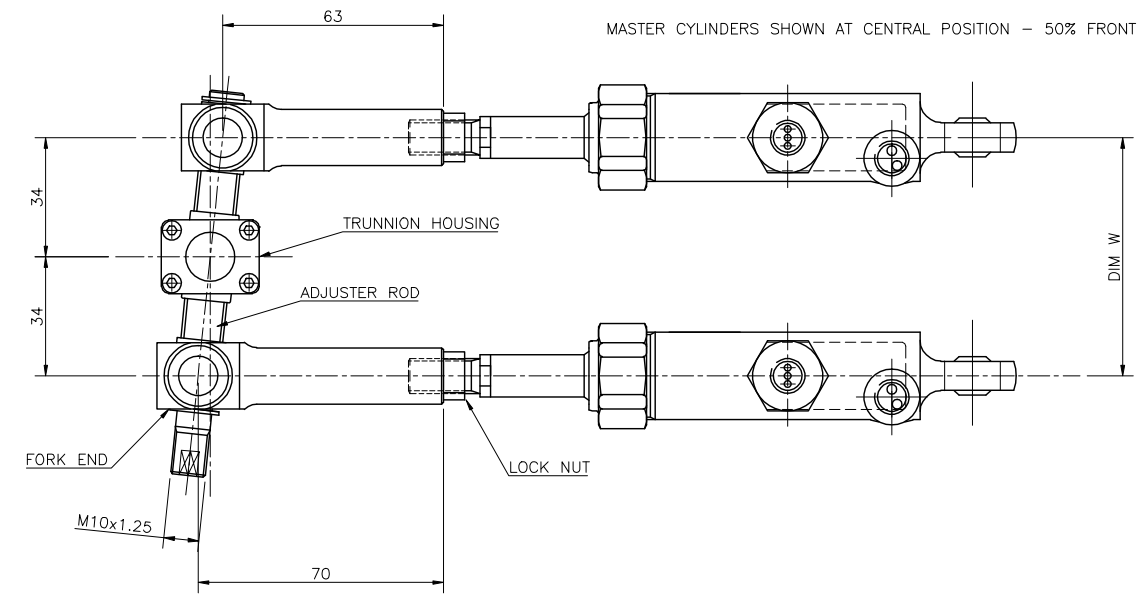


DO NOT SCALE IF IN DOUBT ASK

NOTES

- N1: BALANCE BAR ADJUSTER ROD THREAD 1/2"x20 UNF. ONE TURN OF ADJUSTER THREAD IS EQUIVALENT TO APPROXIMATELY 2% CHANGE IN BIAS.
- N2: ALCON MAR5200 SERIES MASTER CYLINDER.
- N3: RECOMMENDED INSTALLATION DIMENSION BASED ON STANDARD LENGTH FORK END AND MASTER CYLINDER PISTON.
- N4: PEDAL MACHINING DETAILS



PART No.	DIM W
MPA3200X107.68	68

C		TUBES ADDED TO TRUNNION	31.03.05	31.03.05		
B		PEDAL PIVOT BEARING DETAILS ADDED	12.02.04	12.02.04		
A		FIRST ISSUE	20.11.02	20.11.02		
ISS	LOC.	CHANGE	DRG DATE	CHK DATE	MRK DATE	APP DATE
3D MODEL	YES <input type="checkbox"/> NO <input checked="" type="checkbox"/>	SCALE	1:1			
WEIGHT	g	MATERIAL	N/A			
REMOVE ALL SHARP EDGES, BURRS AND SWAMP		HEAT TREATM./CURE CYCLE	N/A			
ALL DIMENSIONS ARE BEFORE TREATMENT UNLESS STATED		SURFACE TREATMENT	N/A			
TOLERANCES UNLESS STATED	#0.2 ANGLES #0.5	DRAWN BY		P.J.W.		ALCON COMPONENTS LIMITED APOLLO TAMWORTH STAFFORDSHIRE B79 7TN TEL: +44(0)1827 723700 alcon
		CHECKED BY		P.J.S.		
		DATE		20.11.02		NOTE: THIS DRAWING AND INFORMATION THEREUPON IS THE PROPERTY OF ALCON COMPONENTS LIMITED. IT IS LENT ON THE CONDITION THAT IT, IN WHOLE OR IN PART, SHALL NOT BE REPRODUCED, COPIED OR DISCLOSED TO ANY PERSON WITHOUT WRITTEN CONSENT OF ALCON AND SHALL BE RETURNED TO ALCON COMPONENTS LIMITED.
		DATE		20.11.02		
		APPROVED BY		DATE		PART NAME (Max. 40 digits) ALCON BALANCE BAR ASSEMBLY
		DATE		DATE		PART NUMBER MPA3200X107
		DATE		DATE		DRAWING MANUF CODE 1
		DATE		DATE		SHEET 1
		DATE		DATE		FROM 1