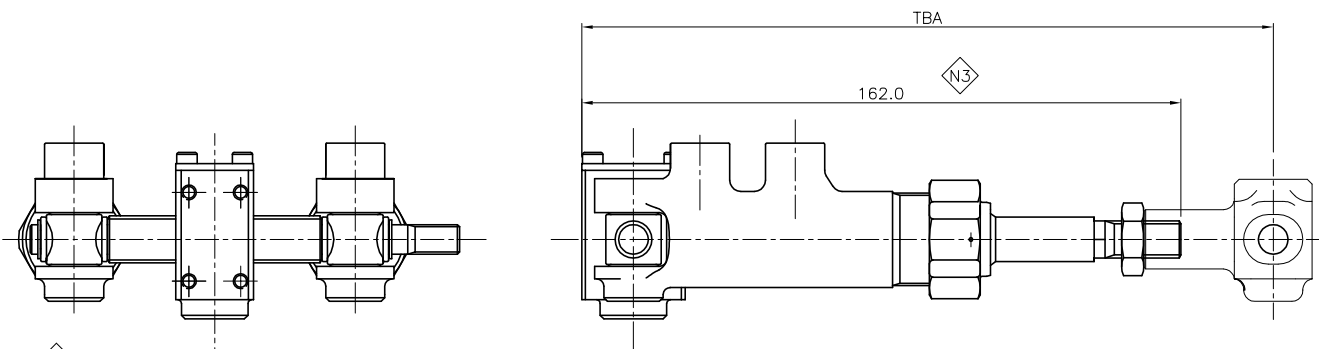
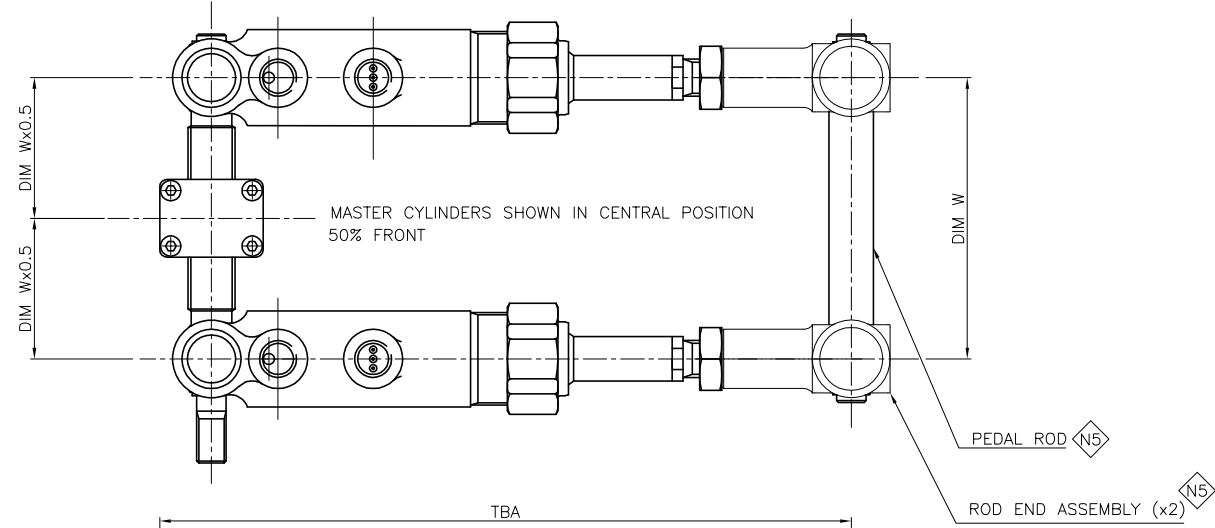
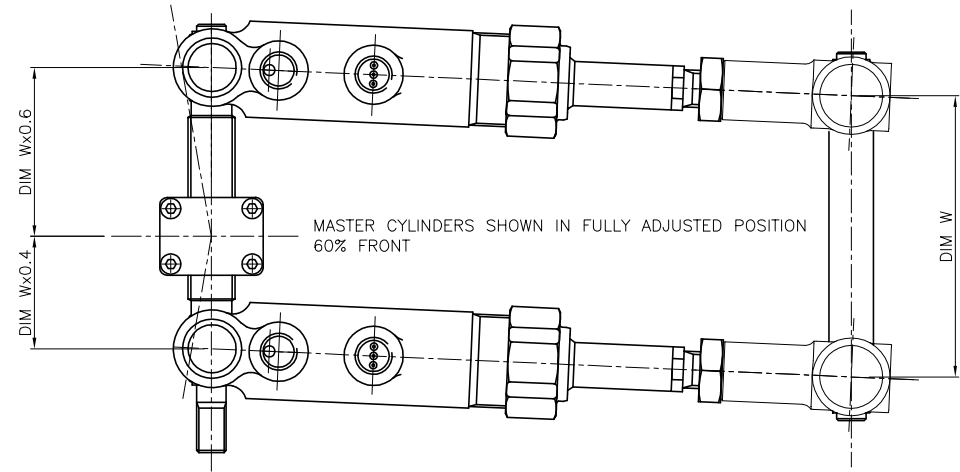
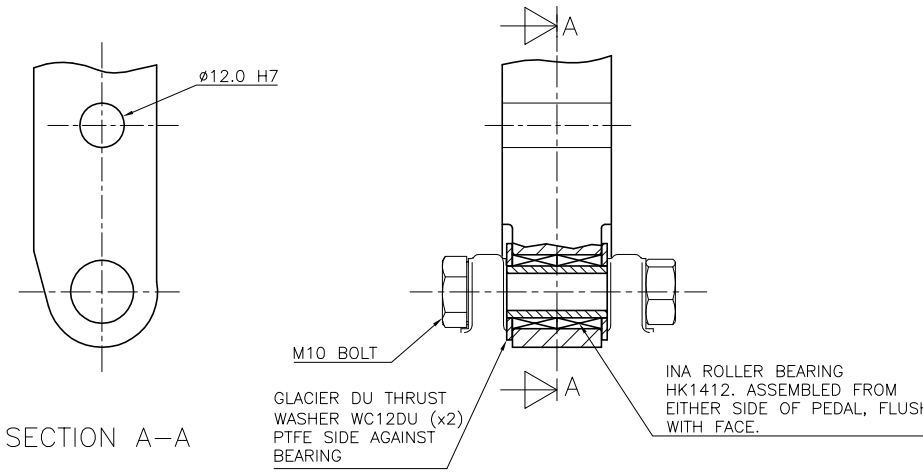


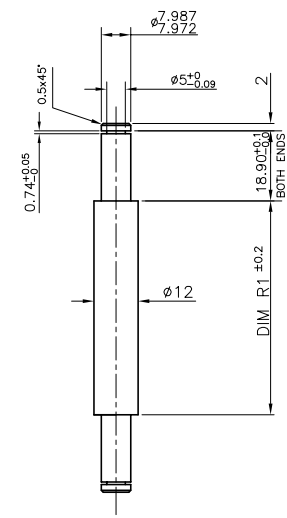
DO NOT SCALE IF IN DOUBT ASK



VIEW(S) INCLUDING MASTER CYLINDERS



PEDAL DETAILS

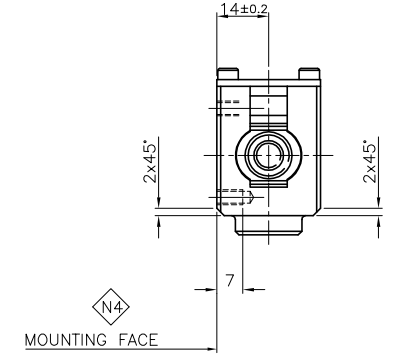
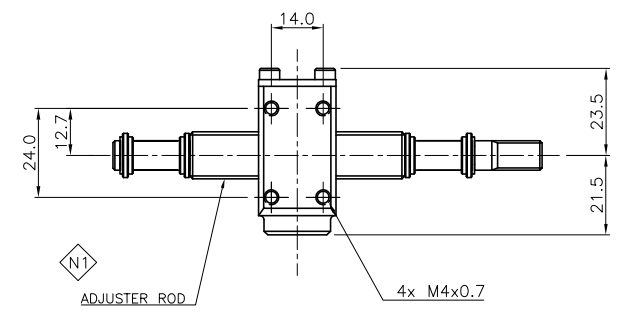
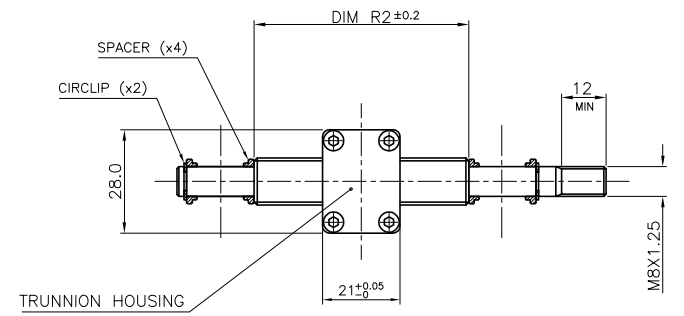
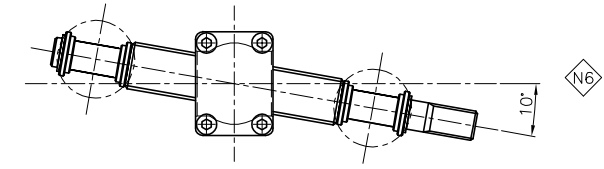


PEDAL ROD DIMENSIONS

NOTES

- N1: BALANCE BAR ADJUSTER ROD THREAD 1/2"x20 UNF. ONE TURN OF ADJUSTER THREAD IS EQUIVALENT TO APPROXIMATELY 2% CHANGE IN BIAS.
- N2: ALCON MAR6200 SERIES MASTER CYLINDER (SUPPLIED SEPARATELY)
- N3: RECOMMENDED INSTALLATION DIMENSION BASED ON STANDARD LENGTH MASTER CYLINDER PISTON.
- N4: THIS BALANCE BAR IS DESIGNED FOR MOUNTING TO A BULKHEAD IN CONJUNCTION WITH AN ALCON MAR62 SERIES MASTER CYLINDER.
- N5: PEDAL ROD DETAILS TO SUIT ALCON ROD END ASSEMBLY PART NUMBER FAK3200X220 (SUPPLIED SEPARATELY)
- N6: MAXIMUM BALANCE BAR ARTICULATION IN EACH DIRECTION
- N7: PART NUMBERS

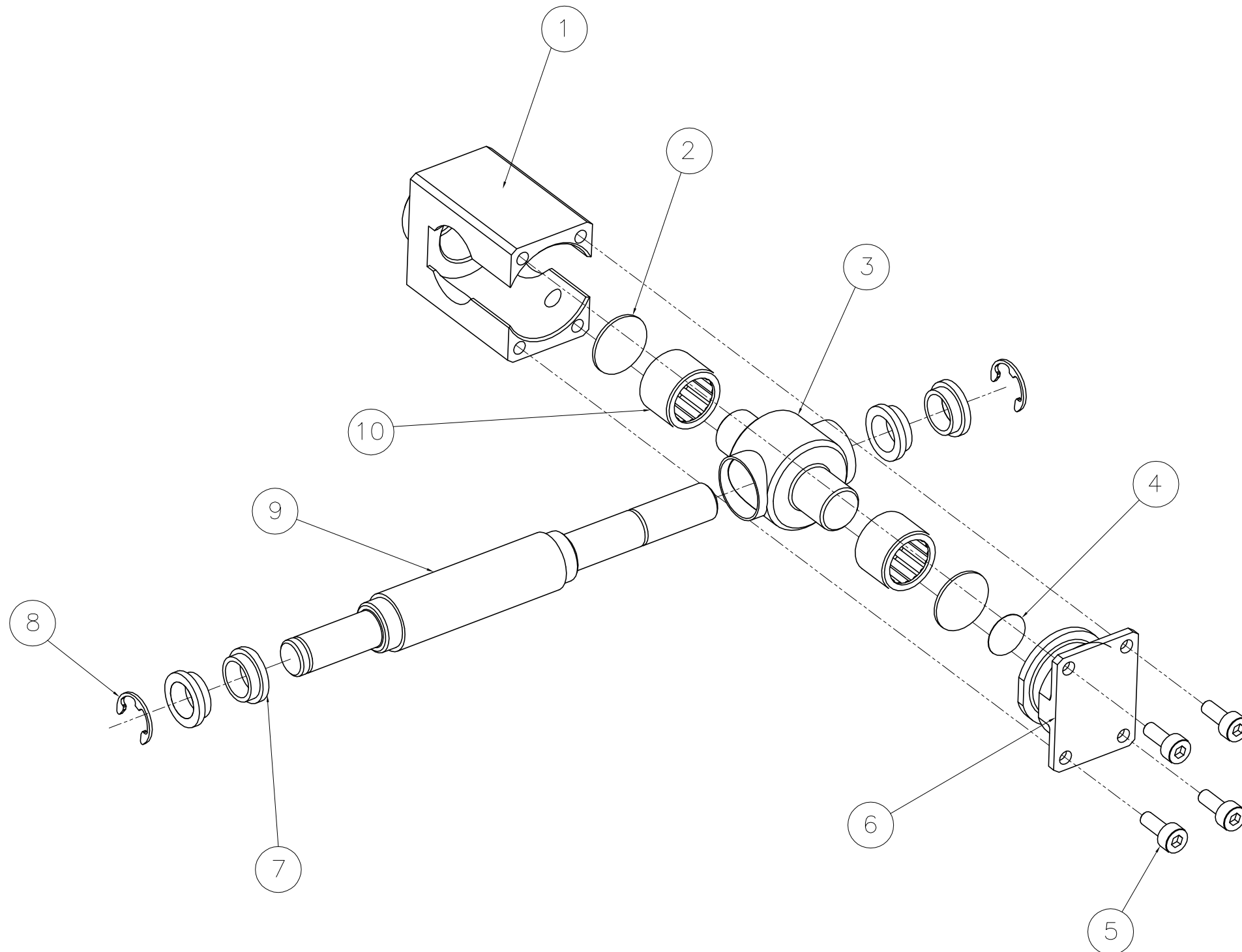
PART No.	DIM W	DIM R1	DIM R2
MPA3200X111.68	68	49.8	49.8
MPA3200X111.76	76	57.8	57.8



ISS	LOC.	CHANGE	DATE	CHK	DATE	DATE	APP	DATE
D		SHEET 2 ADDED	03.12.09			13.12.09		
C		MPA3200X111.68 ADDED	23.10.06			23.10.06		
B		2X45° ADDED, 2 PLACES	02.08.04			02.08.04		
A		PRODUCTION RELEASE	22.06.04			22.06.04		

3D MODEL: YES <input type="checkbox"/> NO <input checked="" type="checkbox"/>	SCALE	DRAWN BY	ALCON COMPONENTS LIMITED
WEIGHT	1:1	NF	APOLLO
REMOVE ALL SHARP EDGES, BURRS AND SWAMP	MATERIAL	CHECKED BY	STAMFORTH
√Ra (√Rz)	N/A	PJS	STAFFORDSHIRE B79 7TN
ALL DIMENSIONS ARE BEFORE TREATMENT UNLESS STATED	HEAT TREAT/CURE CYCLE	DATE	TEL: +44(0)1827 723700
TOLERANCES UNLESS STATED ±0.2. ANGLES: ±0.5°	N/A	01.06.04	
	SURFACE TREATMENT	MATERIAL CHECKED BY	NOTE: THIS DRAWING AND INFORMATION THEREUPON IS THE PROPERTY OF ALCON COMPONENTS LIMITED. IT IS LENT ON THE CONDITION THAT IT, IN WHOLE OR IN PART, SHALL NOT BE REPRODUCED, COPIED OR DISCLOSED TO ANY PERSON WITHOUT WRITTEN CONSENT OF ALCON AND SHALL BE RETURNED TO ALCON COMPONENTS LIMITED.
	N/A		PART NAME (Max. 40 digits)
			BALANCE BAR BULKHEAD MOUNTING
			PART NUMBER
			MPA3200X111
			DRAWING MANUF
			ISSUE
			1
			FROM
			2

DO NOT SCALE IF IN DOUBT ASK

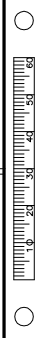


BALANCE BAR ASSEMBLY – MPA3200X111.68

ITEM No	QTY	PART NUMBER	COMPONENT
1	1	HAT3200X545	TRUNNION HOUSING
2	2	BST3200X547	DU BEARING Ø13.5 x0.75
3	1	TSP3200X546	TRUNNION
4	1	SSB320X554B	SHIM Ø9.5 x0.1
5	4	BSS0080X494	M3x0.5x6 CAP HEAD SCREW
6	1	CAT3200X544	CAP TRUNNION HOUSING
7	4	SSF3200X550	SPACER Ø8 x1.5mm
		SSF3200X550A	SPACER Ø8 x1.6mm
		SSF3200X550B	SPACER Ø8 x1.7mm
8	2	CSH0080X635	E CLIP Ø8 SHAFT
9	1	RSB3200X549.68	BALANCE BAR
10	2	BSN0080X539	Ø10 NEEDLE ROLLER BEARING

BALANCE BAR ASSEMBLY – MPA3200X111.76

ITEM No	QTY	PART NUMBER	COMPONENT
1	1	HAT3200X545	TRUNNION HOUSING
2	2	BST3200X547	DU BEARING Ø13.5 x0.75
3	1	TSP3200X546	TRUNNION
4	1	SSB320X554B	SHIM Ø9.5 x0.1
5	4	BSS0080X494	M3x0.5x6 CAP HEAD SCREW
6	1	CAT3200X544	CAP TRUNNION HOUSING
7	4	SSF3200X550	SPACER Ø8 x1.5mm
		SSF3200X550A	SPACER Ø8 x1.6mm
		SSF3200X550B	SPACER Ø8 x1.7mm
8	2	CSH0080X635	E CLIP Ø8 SHAFT
9	1	RSB3200X549.76	BALANCE BAR
10	2	BSN0080X539	Ø10 NEEDLE ROLLER BEARING



ISS		LOC.	CHANGE	SCALE	DRAWN BY	ALCON COMPONENTS LIMITED APOLLO STAMFORTH STAFFORDSHIRE B79 7TN TEL: +44(0)1827 723700
3D MODEL: YES <input type="checkbox"/> NO <input checked="" type="checkbox"/>		g		1:1	NF	
WEIGHT		DATE		01.06.04	01.06.04	
REMOVE ALL SHARP EDGES, BURRS AND SWAMP		MATERIAL		N/A	PJS	<small>NOTE: THIS DRAWING AND INFORMATION THERE UPON IS THE PROPERTY OF ALCON COMPONENTS LIMITED. IT IS LENT ON THE CONDITION THAT IT, IN WHOLE OR IN PART, SHALL NOT BE REPRODUCED, COPIED, OR DISCLOSED TO ANY PERSON WITHOUT WRITTEN CONSENT OF ALCON AND SHALL BE RETURNED TO ALCON COMPONENTS LIMITED.</small>
\sqrt{Ra} (\sqrt{Ra}) <small>ALL DIMENSIONS ARE BEFORE TREATMENT UNLESS STATED</small> <small>TOLERANCES UNLESS STATED ±0.2 ANGLES ±0.5°</small>		HEAT TREAT./CURE CYCLE		N/A	DATE	
SURFACE TREATMENT		APPROVED BY		N/A	DATE	PART NAME (Max. 40 digits) BALANCE BAR BULKHEAD MOUNTING PART NUMBER MPA3200X111
		DATE				DRAWING ISSUE 2 FROM 2 SHEET