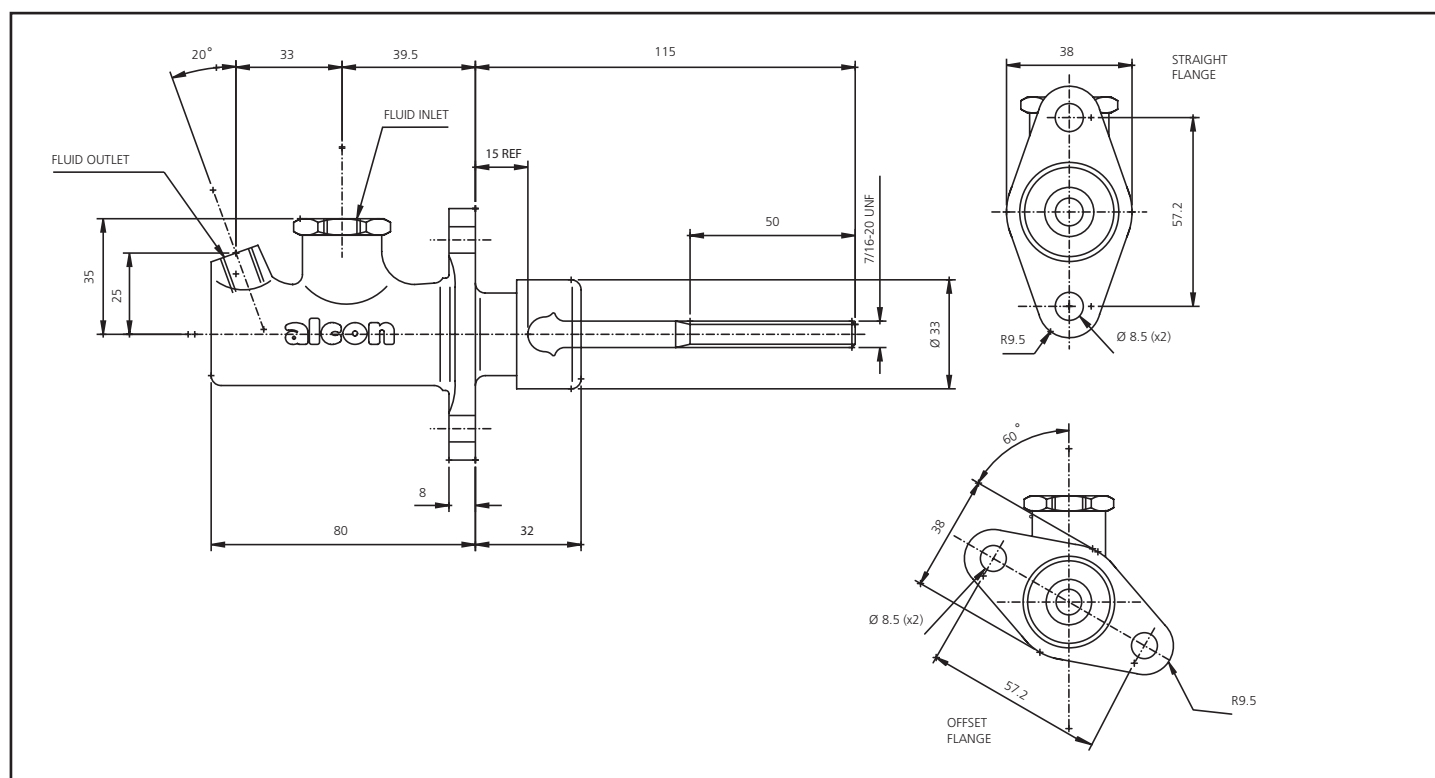
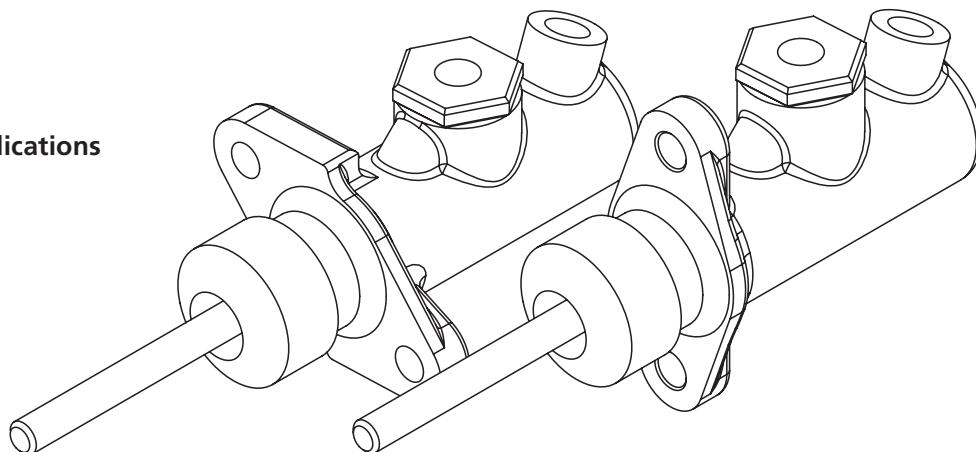


advantage master cylinder – flange mount

KEY FEATURES AND BENEFITS

- Compact design
- Cast aluminium body
Low weight
- Suitable for brake or clutch applications
- Interchangeability with
other manufacturers' cylinders



ADVANTAGE REF	Ø	WEIGHT	SEAL KIT REF
MS/625	5/8" 0.625"	0.32 kg	MSK1200RK
MS/700	0.70"	0.32 kg	MSK1210RK
MS/750	3/4" 0.75"	0.32 kg	MSK1220RK
MS/812	13/16" 0.812"	0.32 kg	MSK1230RK
MS/875	7/8" 0.875"	0.32 kg	MSK1240RK

ADVANTAGE REF	Ø	WEIGHT	SEAL KIT REF
MO/625	5/8" 0.625"	0.32 kg	MSK1200RK
MO/700	0.70"	0.32 kg	MSK1210RK
MO/750	3/4" 0.75"	0.32 kg	MSK1220RK
MO/812	13/16" 0.812"	0.32 kg	MSK1230RK
MO/875	7/8" 0.875"	0.32 kg	MSK1240RK