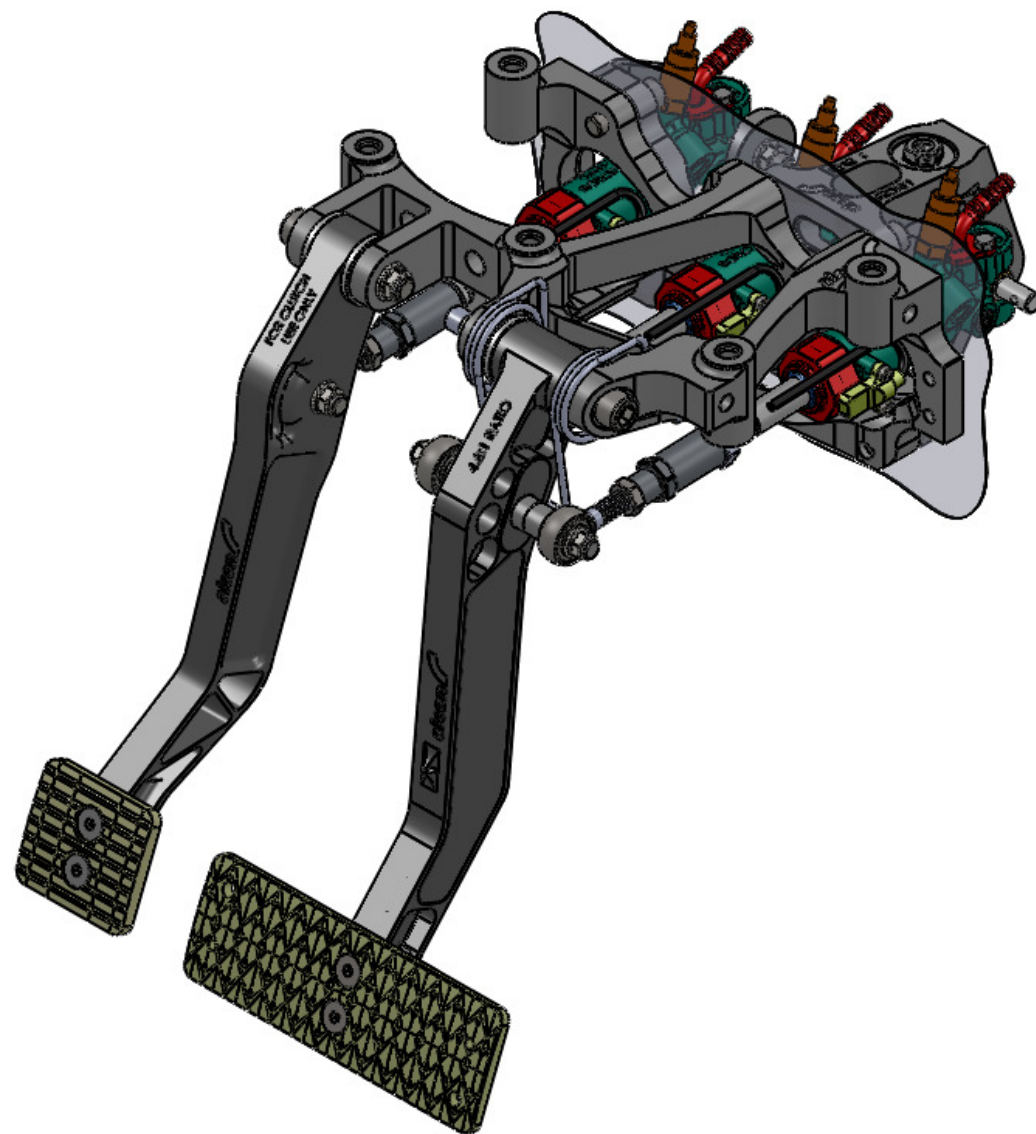


NASCAR PEDAL BOX

Part number PBA3300X137-#



SYSTEM FEATURES

- A very efficient pedal box, master cylinder and balance bar assembly. As a unit, it has been designed to minimise hysteresis so that the pre-determined brake bias position is stable and maintained throughout a braking event.
- Design optimised for light weight and minimal deflection under load.
- Lightened pedal frame that utilises the strength and stiffness of the steel carrier plate welded in the car.
- All frames machined from high strength aluminium alloy billet.
- Compact design with master cylinders positioned away from engine heat.
- For servicing, master cylinders can be assembled to the brake frame with push rod and rod end length set to a pre-determined position.
- Master cylinder frame includes integrated low friction balance bar.
- Balance bar trunnion pivots in needle roller bearings and is shimmed for minimal end play.
- Design optimised fabricated brake pedal, machined from steel billet.
- Design optimised clutch pedal, machined from aluminium alloy billet.
- Adjustable clutch pedal stop.
- Two sets of throttle assembly attachment points included.
- Optional chassis brace to further increase stiffness.
- Unified threads used throughout
- Brake pedal return springs included.

TECHNICAL FEATURES

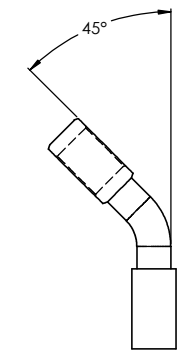
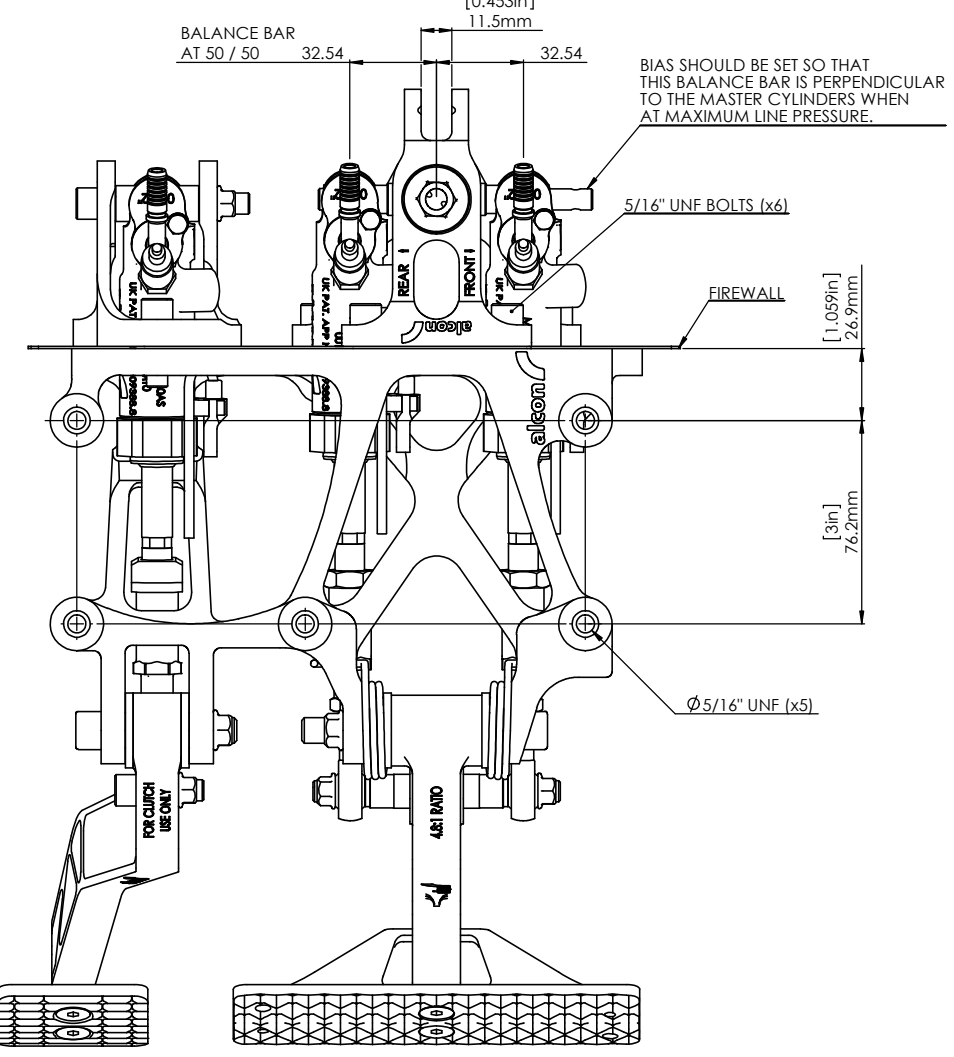
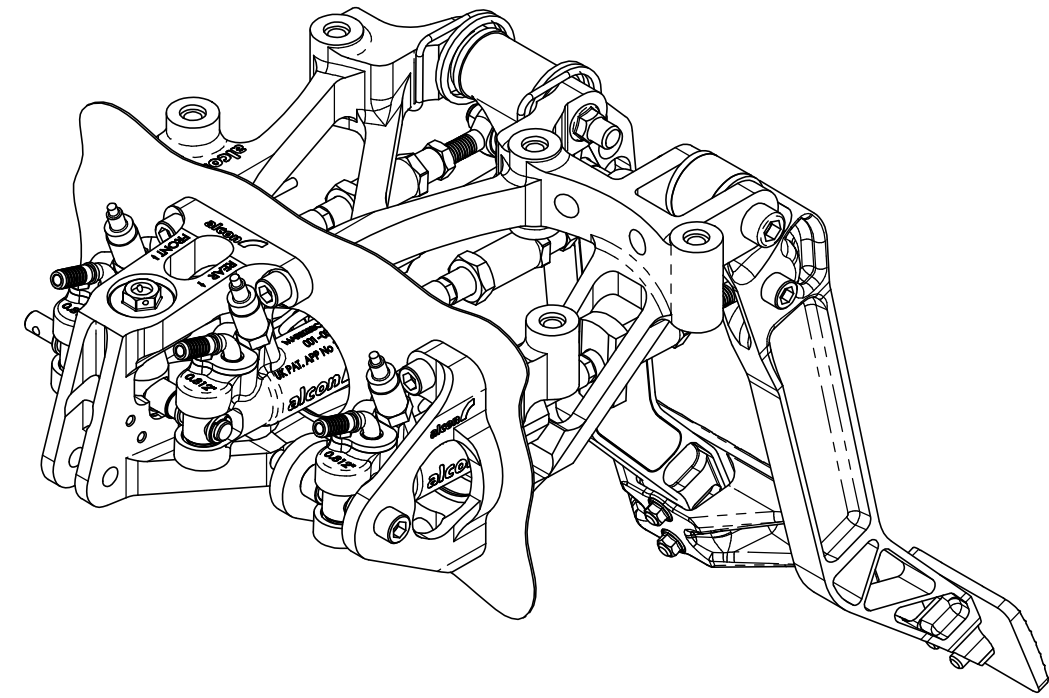
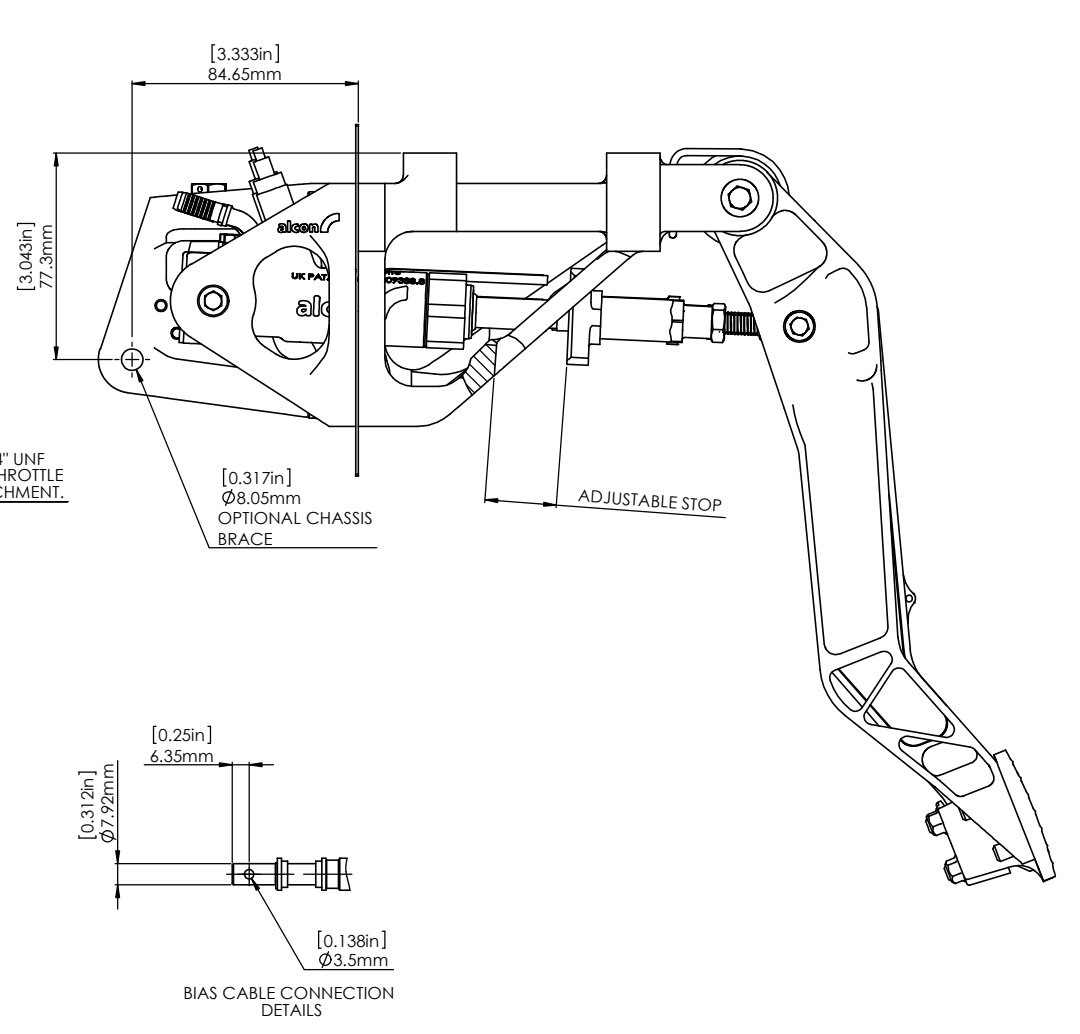
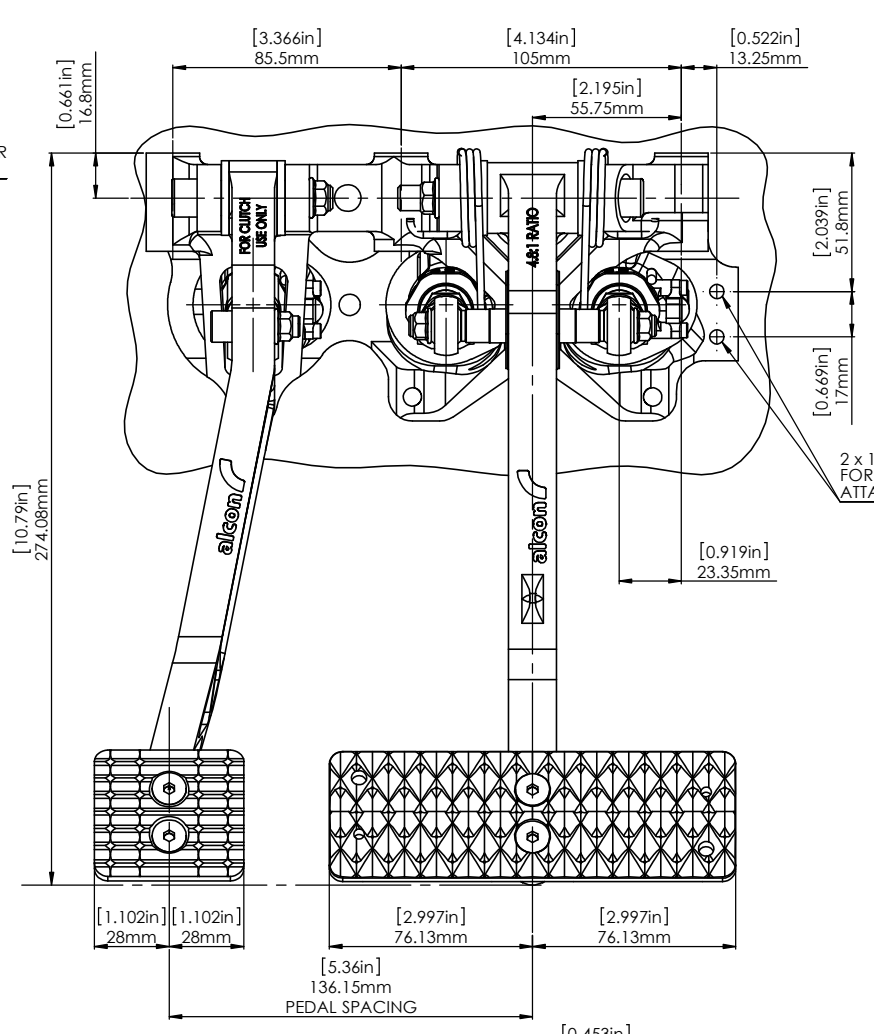
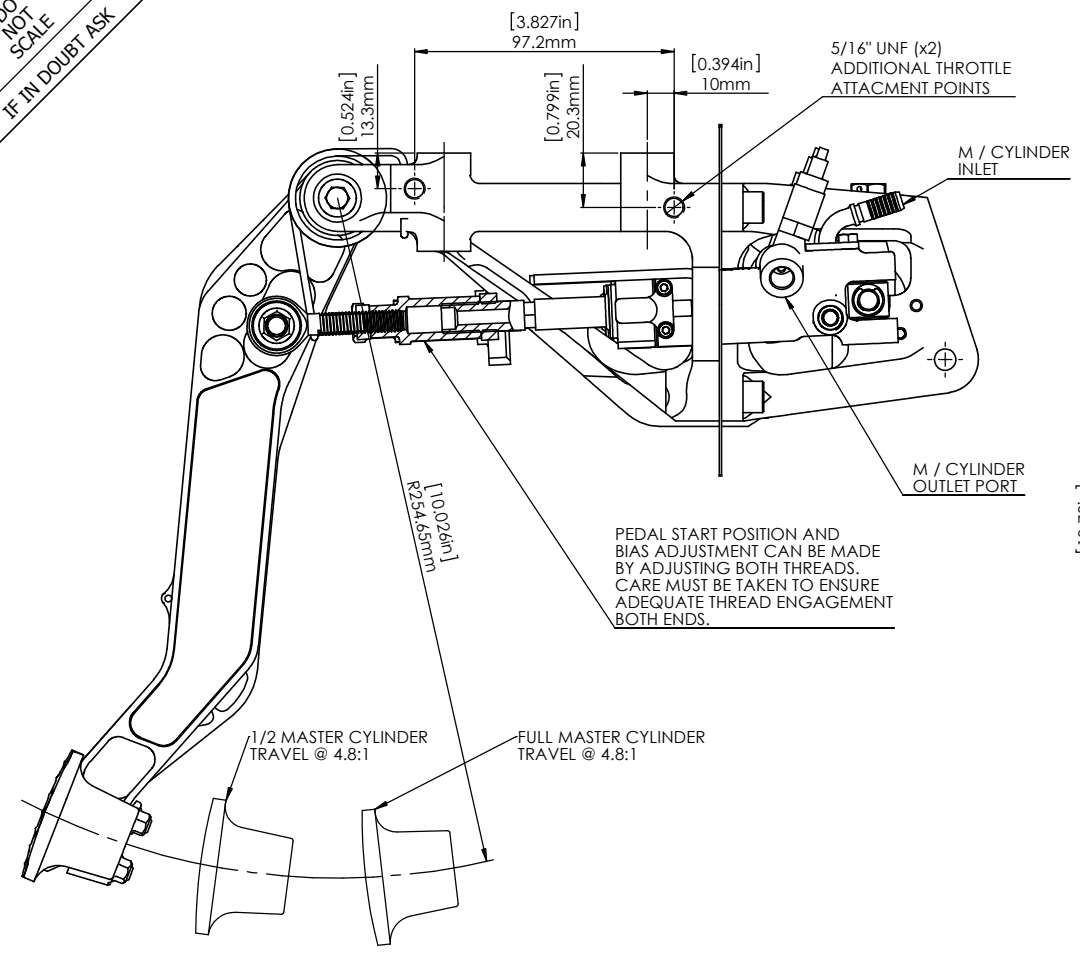
- Brake pedals are available with the following ratio: 6.3:1, 6.0:1, 5.6:1, 4.8:1, 4.2:1
- Typical assembly weight: 7.65lb (3.47Kg) including master cylinders.
- Balance bar adjustment range 41% front to 59% front.
- Balance bar adjuster rod thread M12x1, 1.55% bias adjustment per turn
- Alcon MAR82 series push type master cylinders are supplied separately. These are low hysteresis master cylinders that feature a removable LHE sensor for accurate measurement of push rod travel and a port for a Kulite pressure sensor. For full details, see Alcon drwg ref MAR8200.

PART NUMBERS

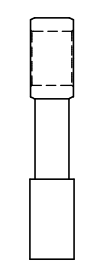
- Pedal Box Assembly 6.3:1 Brake pedal : PBA3300X137-63
- Pedal Box Assembly 6.0:1 Brake pedal : PBA3300X137-60
- Pedal Box Assembly 5.6:1 Brake pedal : PBA3300X137-56
- Pedal Box Assembly 4.8:1 Brake pedal : PBA3300X137-48
- Pedal Box Assembly 4.2:1 Brake pedal : PBA3300X137-42
- Master cylinders : SEE MAR8200 DRAWING

DRAWN IN SOLIDWORKS WEIGHT: ... grams REMOVE ALL SHARP EDGES, BURRS AND SWEEP FINISH: Ra (√) Ra (√) ALL DIMENSIONS ARE BEFORE TREATMENT UNLESS STATED TOLERANCES UNLESS STATED: ±0.2, ANGLES: ±0.5° 	SCALE: 1:1 MATERIAL: ... HEAT TREATMENT: CLEAR CYCLE SURFACE TREATMENT: ... NO. OF INSPECTION FEATURES: ...	DRAWN BY: G WISEMAN DATE: 25.03.10 CHK'D BY: P SMITH DATE: 26.03.10 APP'D BY: ... DATE: ... NO. OF INSPECTION FEATURES: ...	ALCON COMPONENTS LIMITED APOLLO TAMWORTH STAFFORDSHIRE B79 7TN TEL: +44(0)1827 723700 NOTE: THIS DRAWING AND INFORMATION THEREUPON IS THE PROPERTY OF ALCON COMPONENTS LTD. IT IS LENT ON THE CONDITION THAT IT IS NOT TO BE REPRODUCED, COPIED, LENT OR DISCLOSED TO ANY PERSON WITHOUT WRITTEN CONSENT OF ALCON AND SHALL BE RETURNED TO ALCON COMPONENTS LTD. PART NAME (MAX. 40 CHAR): NASCAR PEDAL BOX ASSEMBLY PART NUMBER: PBA3300X137 B 1 of 3 A0
--	---	---	---

DO NOT SCALE
IF IN DOUBT ASK

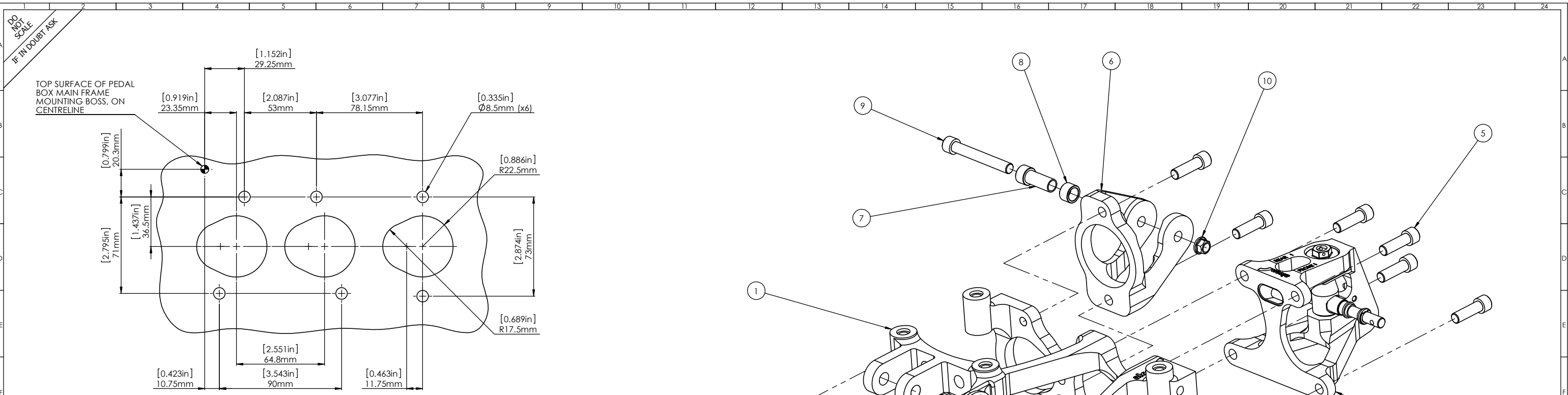


RECOMMENDED BANJO CRANK ANGLE FOR USE WITH BRAKE CYLINDERS



RECOMMENDED BANJO FOR USE WITH CLUTCH CYLINDERS (STRAIGHT)

B TIGHTENING TORQUES UPDATED. 4.8:1 VERSION ADDED.		GW / SH / 03.08.10 / 03.08.10
A FIRST ISSUE		GW / SH / 24.03.10 / 24.03.10
Issue Change		LOC / DRN BY / Date / CHK BY / DATE / APP BY / DATE
DRAWN IN SOLIDWORKS SCALE: 1:1 DRAWN BY: G WISEMAN DATE: 25.03.10 CHECK'D BY: P SMITH DATE: 26.03.10	ALCON COMPONENTS LIMITED APOLLO TAMWORTH STAFFORDSHIRE B79 7TN TEL: +44(0)1827 723700 	NOTE: THIS DRAWING AND INFORMATION THEREUPON IS THE PROPERTY OF ALCON COMPONENTS LTD. IT IS LENT ON THE CONDITION THAT IT IS NOT TO BE REPRODUCED, COPIED, LENT OR DISCLOSED TO ANY PERSON WITHOUT WRITTEN CONSENT OF ALCON AND SHALL BE RETURNED TO ALCON COMPONENTS LTD. PART NAME (NAME AND QTY): NASCAR PEDAL BOX ASSEMBLY PART NUMBER: PBA3300X137
REMOVE ALL SHARP EDGES, BURRS AND SWEEP FINISH: Ra ALL DIMENSIONS ARE BEFORE TREATMENT UNLESS STATED TOLERANCES UNLESS STATED: # ANGLES: #P SURFACE TREATMENT:	MATERIAL: # HEAT TREATMENT: CLEAR CYCLE NO. OF INSPECTION FEATURES:	PART NUMBER: PBA3300X137 SCALE: B SHEET: 2 of 3 SIZE: A0



ITEM NO.	PART NUMBER	DESCRIPTION	QTY	REMARKS
1	FAP3300X150	MAIN FRAME	1	
2	PSA3300X149-63 PSA3300X149-60 PSA3300X149-56 PSA3300X149-48 PSA3300X149-42	BRAKE PEDAL SUB ASSEMBLY 6.3:1 BRAKE PEDAL SUB-ASSEMBLY 6.0:1 BRAKE PEDAL SUB ASSEMBLY 5.6:1 BRAKE PEDAL SUB ASSEMBLY 4.8:1 BRAKE PEDAL SUB ASSEMBLY 4.2:1	1	PEDAL PIVOT BOLT = 30 / 35 lb-ft (41 / 47 Nm) ROD END NUT(S) = 5.9 / 7.4 lb-ft (8 / 10 Nm)
3	PAA3300X111	CLUTCH PEDAL SUB ASSEMBLY 4.8:1	1	PEDAL PIVOT BOLT = 30 / 35 lb-ft (41 / 47 Nm) ROD END NUT = 2.95 / 4.45 lb-ft (4 / 6 Nm)
4	FAA3300X138	BRAKE FRAME & BALANCE BAR SUB ASSEMBLY	1	
5	BSS0080X141	5/16" UNF x 1" CAP HEAD BOLT	6	FRAME BOLTS = 23 / 28 lb-ft (31 / 38 Nm)
6	FAP3300X120	CLUTCH FRAME	1	
7	PSC3300X129	PIVOT TUBE - CLUTCH MASTER CYLINDER	1	
8	PSC3300X130 OR PSC3300X130A	PIVOT TUBE SPACER	1	SELECTIVE ASSEMBLY TO MINIMISE AXIAL FLOAT
9	BSS0080X772	5/16" UNF x 2.25" CAP HEAD BOLT	1	FRAME BOLTS = 23 / 28 lb-ft (31 / 38 Nm)
10	NSK0080X768	5/16" KAYLOCK NUT	1	FRAME BOLTS = 23 / 28 lb-ft (31 / 38 Nm)
11	PAC3300X122	ADJUSTABLE CLUTCH STOP	1	
12	SSC3300X151	PEDAL RETURN SPRING	1	

DRAWN IN SOLIDWORKS WEIGHT: ... REMOVE ALL SHARP EDGES, BURRS AND SWEEP FINISH: Ra ALL DIMENSIONS ARE BEFORE TREATMENT UNLESS STATED TOLERANCES UNLESS STATED: #.# ANGLES: #.#° SURFACE TREATMENT: ...	SCALE: 1:1 MATERIAL: ... HEAT TREATMENT/CUR CYCLE: ... DATE: ...	DRAWN BY: G WISEMAN DATE: 25.03.10 CHK'D BY: P SMITH DATE: 26.03.10 DATE: ... NO. OF INSPECTION FEATURES: ...	ALCON COMPONENTS LIMITED APOLLO TAMWORTH STAFFORDSHIRE B79 7TN TEL: +44(0)1827 723700 NOTE: THIS DRAWING AND INFORMATION THEREUPON IS THE PROPERTY OF ALCON COMPONENTS LTD IT IS LENT ON THE CONDITION THAT IT IS NOT TO BE REPRODUCED, COPIED, LENT OR DISCLOSED TO ANY PERSON WITHOUT WRITTEN CONSENT OF ALCON COMPONENTS LTD. PART NAME (DRAWING): NASCAR PEDAL BOX ASSEMBLY PART NUMBER: PBA3300X137 B 3 of 3 A0
--	---	--	--